

ALEX STEEL T-JOINTS



Functions

Head joint for the T-connection of extruded aluminium profiles, quick to mount and secure.

Online data sheet

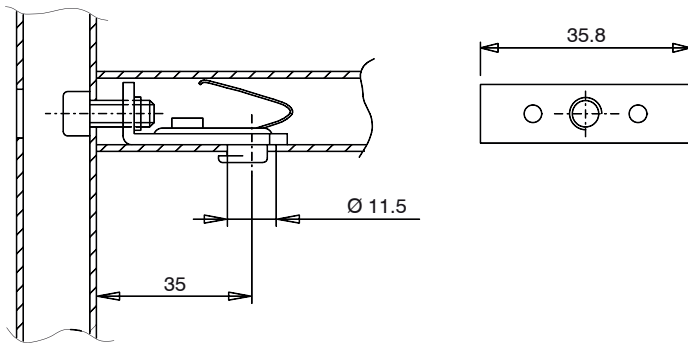


Technical Features

Drilled and tapped M6.
The coupling nib forms a single body with its structure (exploiting the features of the KAPPA corner joint).
The plate spring supplied allows safe and rapid positioning.
Since the T-joint is clamping, it is locked on tightening the M6 screw not supplied.

Materials

Body of zinc plated steel
Spring in hardened steel.



Item code	Description	Note	Base Raw	Anodised Elox	Painted	Trend/Gold Brass	Pieces per pack
00471	ALEX STEEL T-JOINT	35.8x14 mm	X				100