

ROBUR STEEL T-JOINTS

Functions

Head joint for the cross and T-connection of extruded aluminium profiles, quick to mount and secure.

Online data sheet



Technical Features

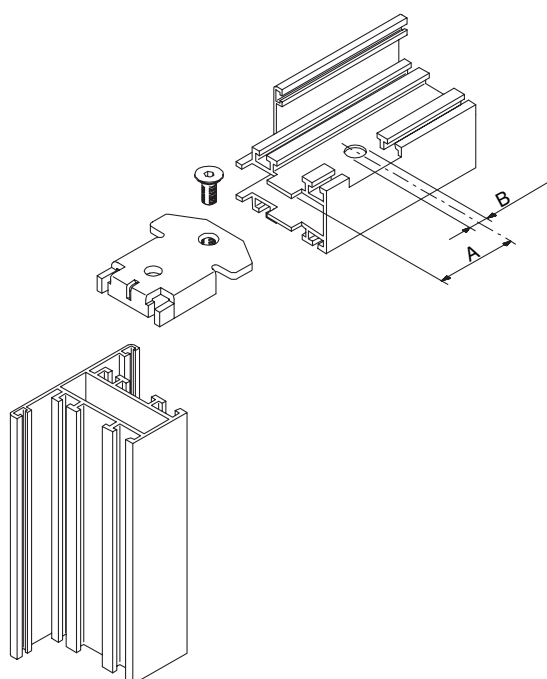
Since the T-joint is clamping, it is locked on tightening the screw. Using two opposing T-joints enables cross-joining the profiles.

Materials

Body and closing screw in zinc plated steel

Parts

1 Closing screw M8x13



Item code	Description	A (mm)	B (mm)	Base Raw	Anodised Elox	Painted	Trend/Gold Brass	Pieces per pack
00476	ROBUR T-JOINT	35	10,5	X				100
00477	ROBUR T-JOINT	35	10,5	X				100
00481	ROBUR T-JOINT	35	11,5	X				50