



CELERA HINGES

Functions

Clamp door hinge for profile with channel.
Side adjustment with door installed.

Online data sheet



Technical Features

This hinge is suitable for doors subject to intensive use with high resistance to fatigue and wear.

Fixing plates of special geometry guarantee the firmest possible attachment on the profile channel.

The CELERA hinge is fitted extremely quickly to the sash and frame, even when the fixture has already been installed, thanks to the fixing plates that are pre-assembled to the hinge bodies (Giesse RAPID system).

It is therefore possible to apply an additional hinge (for example in the center) even after installation without having to dismantle the sash.

Side adjustment (± 1 mm), obtainable by turning the eccentric bush in the sash hinge using a 6mm hex wrench.

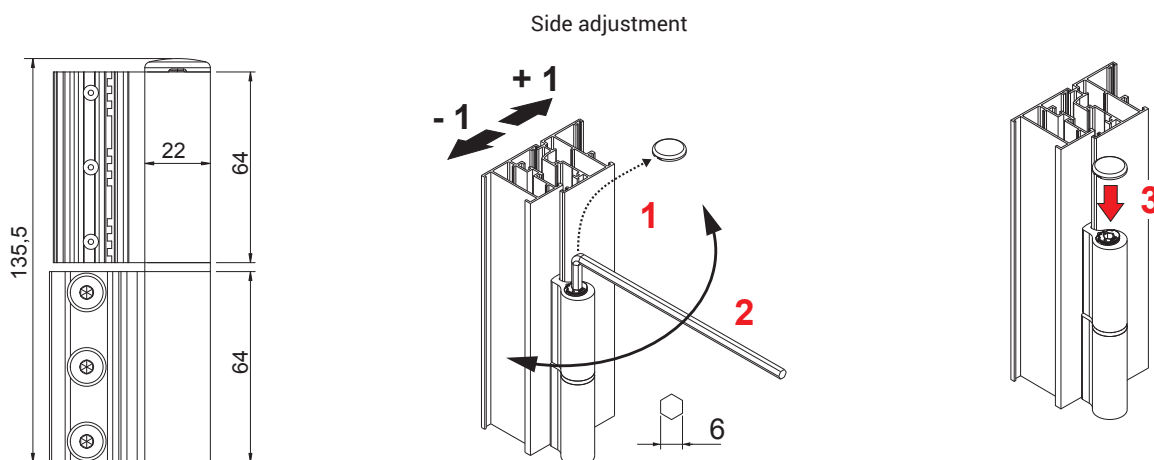
Materials

Extruded aluminium hinge bodies

$\varnothing 10$ pin, fixing plates and fixing screws, all stainless steel

Eccentric bush, adjustment locking element and washer made of acetal resin

Polyamide cap



Item code	Description	PROFILE CROSS - SECTION	Flush opening	Third sash	Load capacity 2 hinges [kg]	Load capacity 3 hinges [kg]	CE marking	Base Raw	Anodised Elox	Painted	Trend/Gold Brass	Pieces per pack
00681	CELERA HINGE	C001 - C002 - C005			100	120	CLASS 12	X	X	X		20
00682	CELERA HINGE	C007			100	120	-	X	X	X		20
00684	CELERA HINGE	see Where Used	X		100	120	CLASS 12	X	X	X		20
00685	CELERA HINGE	see Where Used			90	110	-	X	X	X		20
00687	CELERA HINGE	C008			90	110	-	X	X	X		20
00688	CELERA HINGE	C009			100	120	-	X	X	X		20
00689	CELERA HINGE	see Where Used			100	120	-	X	X	X		20
00690	CELERA HINGE	see Where Used		X	80	100	-	X	X	X	X	20