

# FLUSH CHIC 3D 100 SECONDARY SASH HINGE KIT

## Functions

CHIC 3D 100 FLUSH hinge set (top and bottom) for side-hung sash or secondary sash combined with turn-and-tilt sash.

## Technical Features

Sash opening to 105°.

Maximum load capacity 100 kg.

Assembly is simple, fast and easy using the special pre-assembled cams.

When there is an additional fastening mechanism, you need to use the CHIC fastening element.

Both hinges are adjustable (3D).

It is mandatory to use the CHIC limitation arm (code 05293).

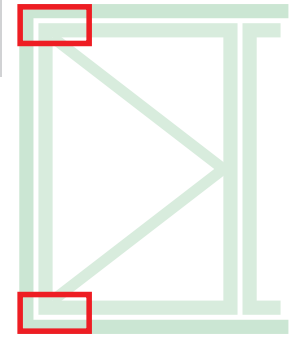
## Materials

Corner support made of zamak

Connecting brackets and hinge plates made of zinc plated steel

Pins made of 304 grade stainless steel and aluminium bronze

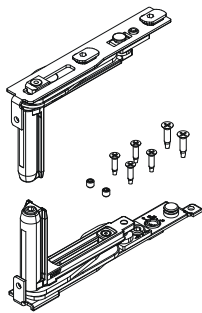
Cams made of zinc plated steel



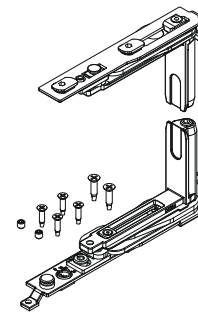
Online data sheet



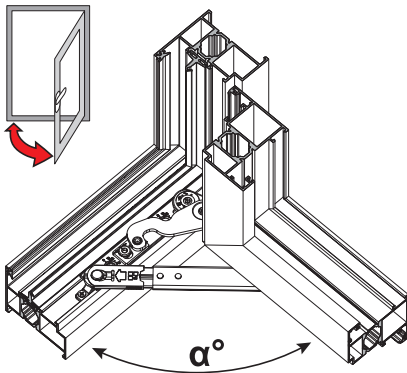
052902



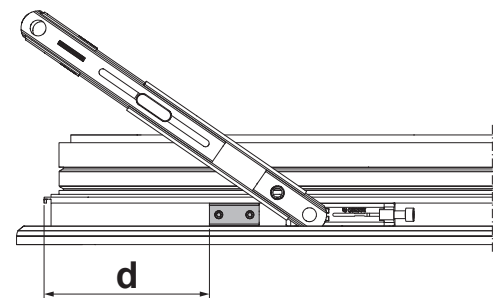
052901



CHIC limitation arm(05293)



d (mm)	$\alpha^\circ$
102	105°
127	90°
>127	<90°
<b><math>\alpha^\circ</math> MAX 105</b>	



Item code	Description	PROFILE CROSS - SECTION	Hand	Base Raw	Anodised Elox	Painted	Trend/Gold Brass	Pieces per pack
052901	CHIC 100 FLUSH - SASH HINGE KIT	C013-C014-C015-C016-017	RX					10
052902	CHIC 100 FLUSH - SASH HINGE KIT	C013-C014-C015-C016-017	LX					10