



FLUSH CHIC 3D 100 SASH HINGE KIT

Functions

CHIC 3D 100 FLUSH hinge set (top and bottom) for side-hung sash or secondary sash combined with turn-and-tilt sash.

Online data sheet

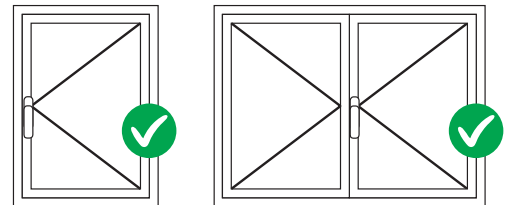


Technical Features

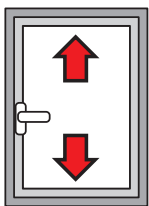
Sash opening to 105°. Maximum load capacity 100 kg. Assembly is simple, fast and easy using the special pre-assembled cams. When there is an additional fastening mechanism, you need to use the CHIC fastening element. Both hinges are adjustable (3D). It is mandatory to use the CHIC limitation arm (code 05293). **CAUTION:** This hinge is designed to be used only on inward opening casements and is not suitable for outward opening casements.

Materials

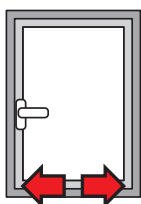
Corner support made of zamak
Connecting brackets and hinge plates made of zinc plated steel
Pins made of 304 grade stainless steel and aluminium bronze
Cams made of zinc plated steel



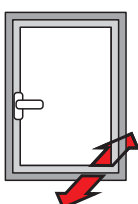
ADJUSTMENTS [mm]



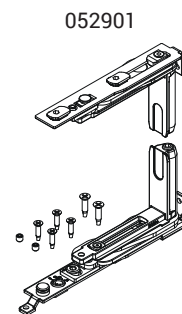
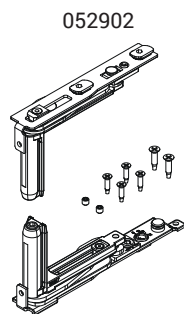
Height:
+2.5 / -1



Side:
+1.5 / -1.5



Hinge compression:
+1.4 / -0.6



Adjustments

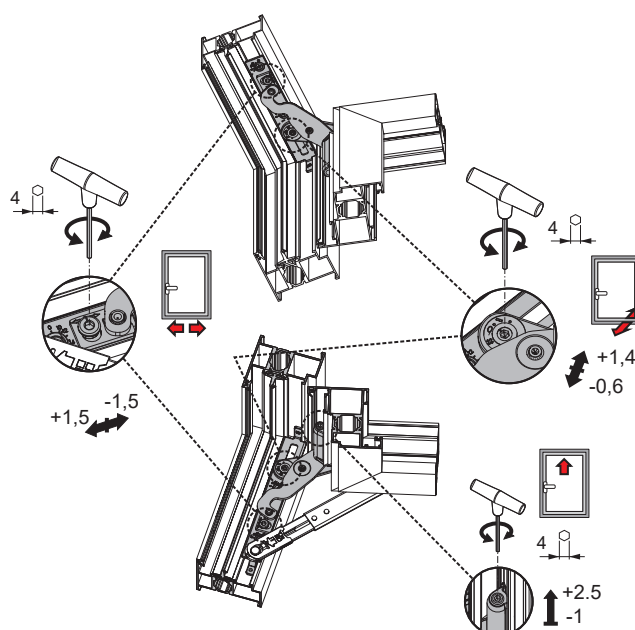


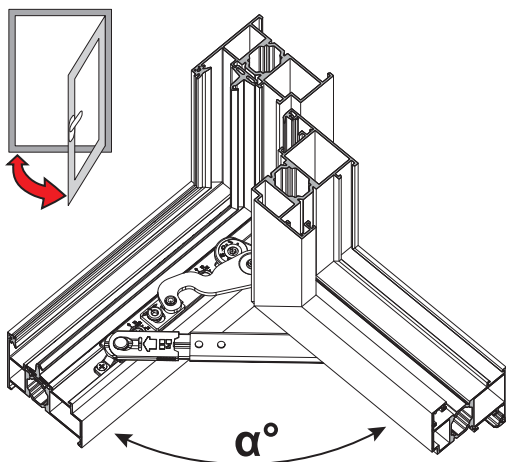
Table of maximum glass thickness [mm]

3000	27	22	19	16	15	13	12	11				
2900	27	23	19	17	15	14	12	11				
2800	28	23	20	18	16	14	13	12	11			
2700	29	24	21	18	16	15	13	12	11			
2600	30	25	22	19	17	15	14	13	12	11		
2500	33	27	23	20	18	16	15	14	13	12		
2400	33	27	23	20	18	16	15	14	13	12	11	
2300	34	28	24	21	19	17	16	14	13	12	11	
2200	36	30	25	22	20	18	16	15	14	13	12	
2100	37	31	27	23	21	19	17	16	14	13	12	
2000	39	33	28	25	22	20	18	16	15	14	13	
1900	41	34	30	26	23	21	19	17	16	15	14	
1800	44	36	31	27	24	22	20	18	17	16	15	
1700	46	38	33	29	26	23	21	19	18	16	15	
1600	49	41	35	31	27	25	22	20	19	17	15	
1500	50	44	37	33	29	26	24	22	20	17	15	
1400	50	47	40	35	31	28	25	23	20	17	15	
1300	50	50	43	38	34	30	27	24	20	17	15	
1200	50	50	47	41	36	33	28	24	20	17	15	
1100	50	50	50	45	40	34	28	24	20	17		
1000	50	50	50	49	42	34	28	24	20			
900	50	50	50	50	42	34	28	24				
800	50	50	50	50	42	34						
700	50	50	50	50	42	34						
600	50	50	50	50	42	34						
	420	500	600	700	800	900	1000	1100	1200	1300	1400	1500

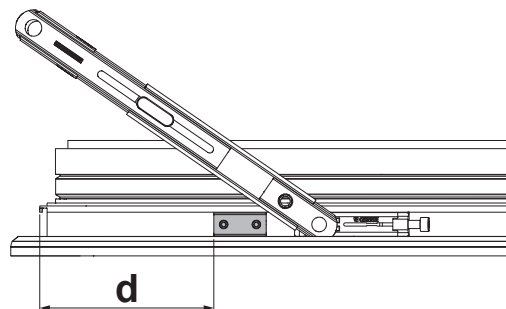
Table of maximum load capacity [kg]

3000	100	100	100	100	100	100	100	100				
2900	100	100	100	100	100	100	100	100				
2800	100	100	100	100	100	100	100	100				
2700	100	100	100	100	100	100	100	100	100			
2600	100	100	100	100	100	100	100	100	100	100		
2500	100	100	100	100	100	100	100	100	100	100	100	
2400	100	100	100	100	100	100	100	100	100	100	100	
2300	100	100	100	100	100	100	100	100	100	100	100	100
2200	100	100	100	100	100	100	100	100	100	100	100	100
2100	100	100	100	100	100	100	100	100	100	100	100	100
2000	100	100	100	100	100	100	100	100	100	100	100	100
1900	100	100	100	100	100	100	100	100	100	100	100	100
1800	100	100	100	100	100	100	100	100	100	100	100	100
1700	100	100	100	100	100	100	100	100	100	100	100	100
1600	100	100	100	100	100	100	100	100	100	100	100	98
1500	100	100	100	100	100	100	100	100	100	100	99	92
1400	100	100	100	100	100	100	100	100	100	100	93	87
1300	100	100	100	100	100	100	100	100	100	93	87	81
1200	100	100	100	100	100	100	100	100	94	87	80	75
1100	100	100	100	100	100	100	100	95	87	80	74	69
1000	100	100	100	100	100	95	87	79	73	68		
900	100	100	100	100	96	87	79	72	67			
800	100	100	100	98	87	78	71	65				
700	100	100	99	87	77	69	63					
600	100	100	87	76	67	61						
	420	500	600	700	800	900	1000	1100	1200	1300	1400	1500

CHIC limitation arm(05293)



d (mm)	α°
102	105°
127	90°
>127	<90°
α° MAX 105	



Item code	Description	PROFILE CROSS - SECTION	Hand	Base Raw	Anodised Elox	Painted	Trend/Gold Brass	Pieces per pack
052901	CHIC 100 FLUSH - SASH HINGE KIT	C013-C014-C015-C016-017	RX					10
052902	CHIC 100 FLUSH - SASH HINGE KIT	C013-C014-C015-C016-017	LX					10

Item code	Description	Interface type	Base Raw	Anodised Elox	Painted	Trend/Gold Brass	Pieces per pack
05293	CHIC - LIMITATION ARM	C013-C014-C015-C016-C017	X				10