

**SECONDARY SASH HINGE SET FOR CHIC 3D 100**

**Functions**

Set of hinges (top and bottom) for side-hung or secondary sash with tilt-and-turn CHIC 3D 100.

**Technical Features**

Sash opening to 180°.

Maximum load capacity 100 kg.

Assembly is simple, fast and easy using the special pre-assembled cams.

When there is an additional fastening mechanism, you need to use the CHIC fastening element.

Both hinges are adjustable (3D).

If opening is obstructed, you need to use the FRIZ limitation arm.

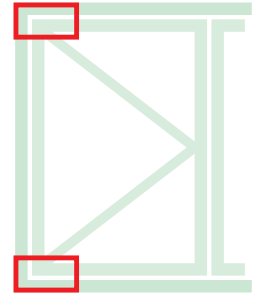
**Materials**

Corner support made of zamak

Connecting brackets and hinge plates made of zinc plated steel

Pins made of 304 grade stainless steel and aluminium bronze

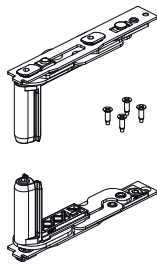
Cams made of zinc plated steel



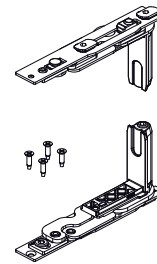
Online data sheet



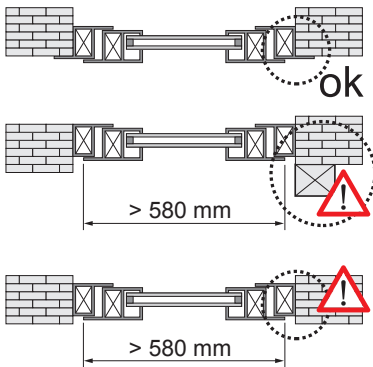
043542



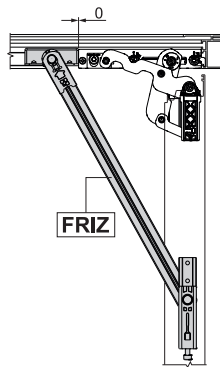
043541



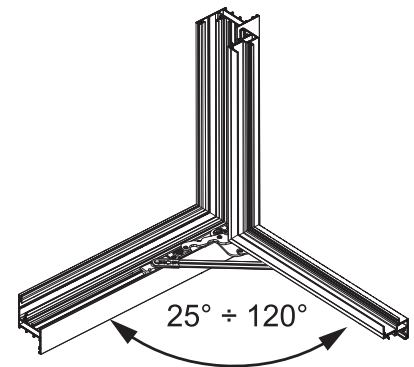
Mandatory to use the FRIZ arm



FRIZ arm positioning



Opening angle with FRIZ arm



Item code	Description	PROFILE CROSS - SECTION	Hand	Base Raw	Anodised Elox	Painted	Trend/Gold Brass	Pieces per pack
043541	CHIC - SASH HINGE SET	C001-C002-C003-C005-C006	RX	X				10
043542	CHIC - SASH HINGE SET	C001-C002-C003-C005-C006	LX	X				10