



SASH HINGE SET FOR CHIC 3D 130 ERRE

Functions

Set of hinges (top and bottom) for side-hung or secondary sash with tilt-and-turn CHIC 3D 130 ERRE.

Online data sheet

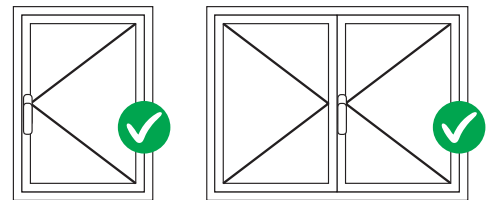


Technical Features

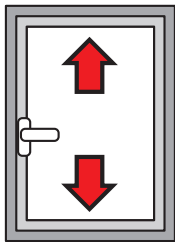
Sash opening to 180°. Maximum load capacity 130 kg. Assembly is simple, fast and easy using the special pre-assembled cams. Both hinges are adjustable (3D). If opening is obstructed, you need to use the FRIZ limitation arm. **CAUTION:** This hinge is designed to be used only on inward opening casements and is not suitable for outward opening casements.

Materials

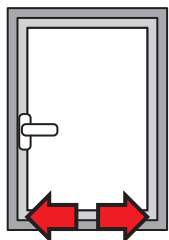
Corner support made of zamak
Connecting brackets and hinge plates made of zinc plated steel
Pins made of 304 grade stainless steel and aluminium bronze
Cams made of zinc plated steel



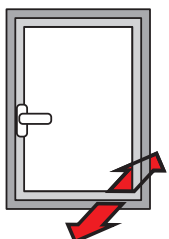
ADJUSTMENTS [mm]



Height:
+2.5 / -1

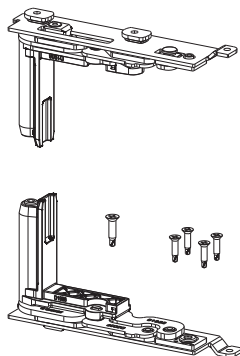


Side:
+1.5 / -1.5

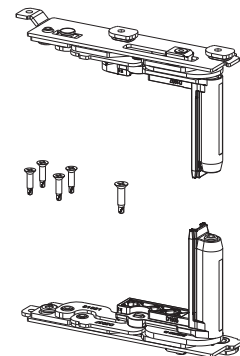


Hinge compression:
+1.4 / -0.6

052832



052831



Adjustments

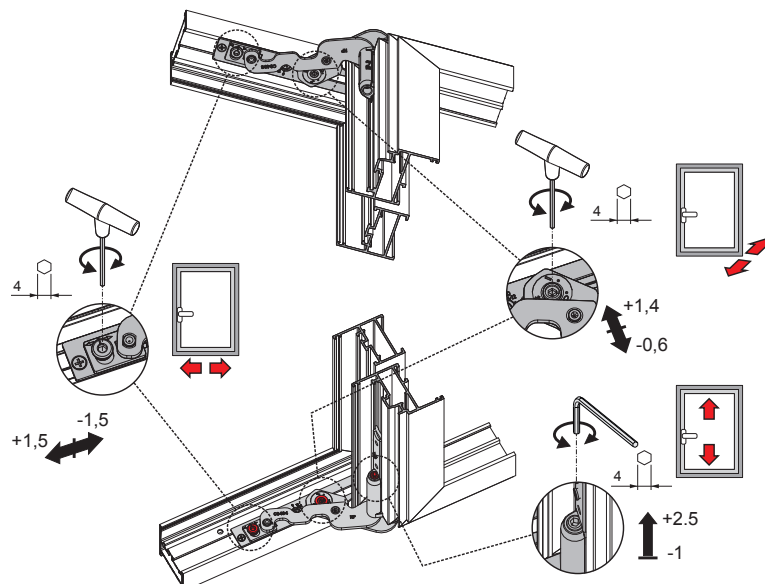


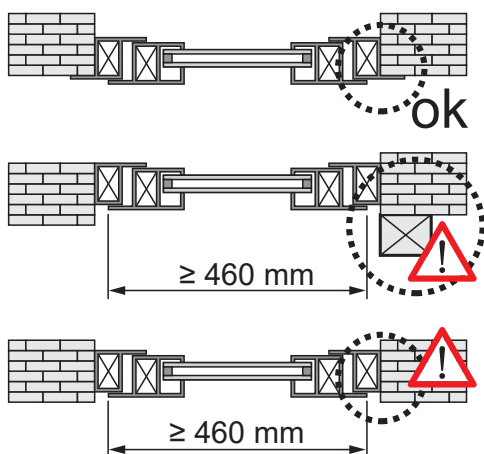
Table of maximum load capacity [kg]

2800	124	124	124	124	124	124	124	124	124	124	124		
2700	126	126	126	126	126	126	126	126	126	126	126		
2600	128	128	128	128	128	128	128	128	128	128	128		
2500	130	130	130	130	130	130	130	130	130	130	130		
2400	130	130	130	130	130	130	130	130	130	130	130		
2300	130	130	130	130	130	130	130	130	130	130	130		
2200	130	130	130	130	130	130	130	130	130	130	130		
2100	130	130	130	130	130	130	130	130	130	130	130		
2000	130	130	130	130	130	130	130	130	130	130	130		
1900	130	130	130	130	130	130	130	130	130	130	130		
1800	130	130	130	130	130	130	130	130	130	130	130		
1700	130	130	130	130	130	130	130	130	130	130	127		
1600	130	130	130	130	130	130	130	130	130	127	119		
1500	130	130	130	130	130	130	130	130	130	128	119	112	
1400	130	130	130	130	130	130	130	129	119	111	104		
1300	130	130	130	130	130	130	129	119	111	103	97		
1200	130	130	130	130	130	130	119	110	102	95			
1100	130	130	130	130	130	119	109	101	94				
1000	130	130	130	130	119	108	99	92					
900	130	130	130	119	107	98	90						
800	130	130	119	106	95	87							
700	130	130	119	104	93	84							
600	200	500	600	700	800	900	1000	1100	1200	1300	1400	1500	1600

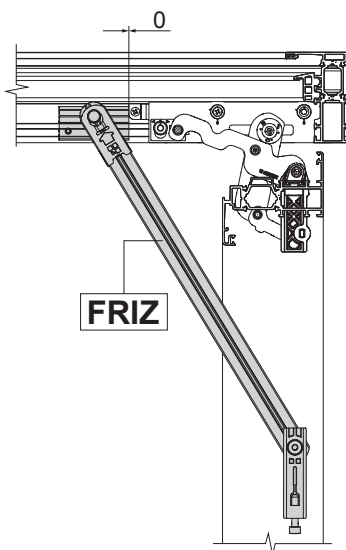
Table of maximum glass thickness [mm]

2800	35	29	25	22	19	17	16	14	13	12	12		
2700	37	31	26	23	20	18	17	15	14	13	12		
2600	39	32	28	24	21	19	18	16	15	14	13	12	
2500	43	35	30	27	24	21	19	18	16	15	14	13	
2400	43	35	30	27	24	21	19	18	16	15	14	13	
2300	44	37	32	28	25	22	20	18	17	16	15	14	
2200	46	39	33	29	26	23	21	19	18	17	15	14	
2100	49	40	35	30	27	24	22	20	19	17	16	15	
2000	51	43	36	32	28	26	23	21	20	18	17	16	
1900	54	45	38	34	30	27	24	22	21	19	18	17	
1800	57	47	40	35	31	28	26	24	22	20	19	18	
1700	60	50	43	38	33	30	27	25	23	21	20	18	
1600	60	53	46	40	35	32	29	27	25	23	21	18	
1500	60	57	49	43	38	34	31	28	26	24	21	18	
1400	60	60	52	46	40	36	33	30	28	24	21	18	
1300	60	60	56	49	44	39	36	33	28	24	21	18	
1200	60	60	60	53	47	43	39	33	28	24	21		
1100	60	60	60	58	52	46	39	33	28	24			
1000	60	60	60	60	57	47	39	33	28				
900	60	60	60	60	58	47	39	33					
800	60	60	60	60	58	47	39						
700	60	60	60	60	58	47							
600	200	500	600	700	800	900	1000	1100	1200	1300	1400	1500	1600

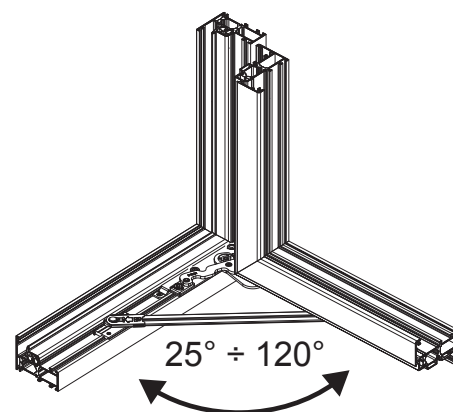
Mandatory to use the FRIZ arm



FRIZ arm positioning



Opening angle with FRIZ arm



Item code	Description	PROFILE CROSS - SECTION	Hand	Base Raw	Anodised Elox	Painted	Trend/Gold Brass	Pieces per pack
052831	CHIC 130 ERRE - SASH HINGE SET	C007	RX	X				10
052832	CHIC 130 ERRE - SASH HINGE SET	C007	LX	X				10