



## SASH HINGE SET FOR CHIC 3D 130

### Functions

Set of hinges (top and bottom) for side-hung or secondary sash with tilt-and-turn CHIC 3D 130.

Online data sheet

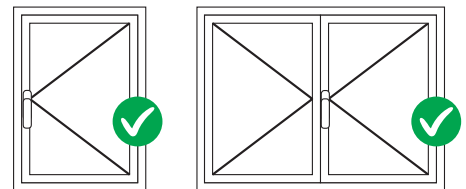


### Technical Features

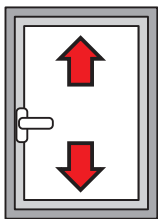
Sash opening to 180°.  
 Maximum load capacity 130 kg.  
 Assembly is simple, fast and easy using the special pre-assembled cams.  
 When there is an additional fastening mechanism, you need to use the CHIC fastening element.  
 Both hinges are adjustable (3D).  
 If opening is obstructed, you need to use the FRIZ limitation arm.  
**CAUTION:** This hinge is designed to be used only on inward opening casements and is not suitable for outward opening casements.

### Materials

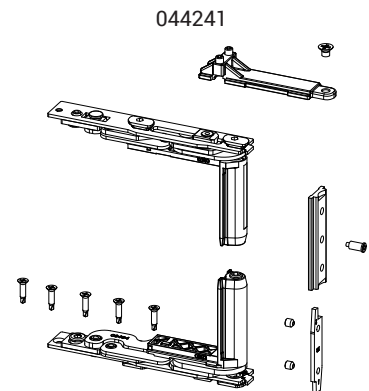
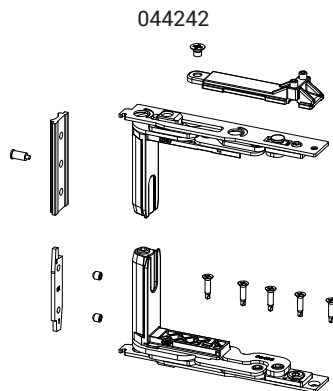
Corner support made of zamak  
 Connecting brackets and hinge plates made of zinc plated steel  
 Pins made of 304 grade stainless steel and aluminium bronze  
 Cams made of zinc plated steel



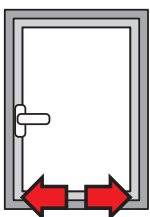
### ADJUSTMENTS [mm]



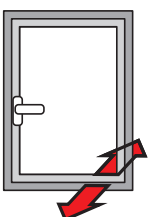
Height:  
+2.5 / -1



Adjustments

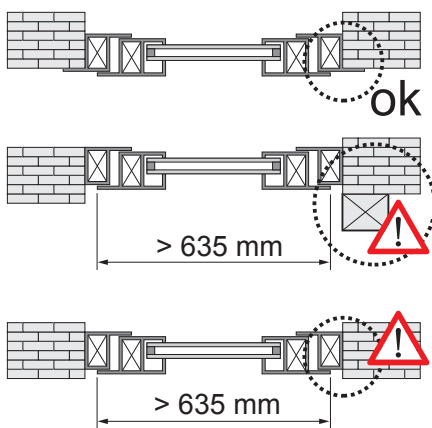


Side:  
+1.5 / -1.5

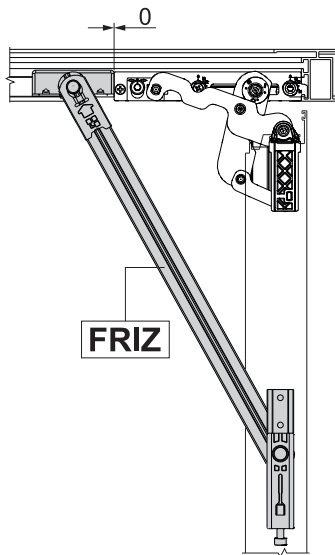


Hinge compression:  
+1.4 / -0.6

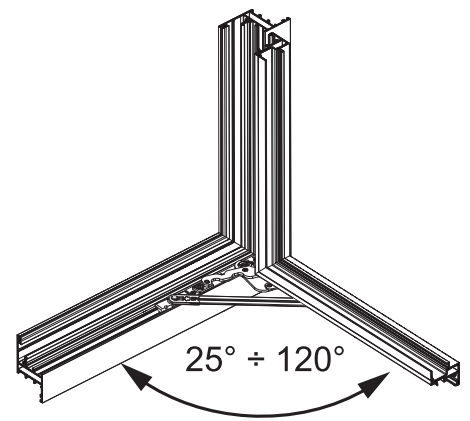
Mandatory to use the FRIZ arm



FRIZ arm positioning



Opening angle with FRIZ arm



Item code	Description	PROFILE CROSS - SECTION	Hand	Base Raw	Anodised Elox	Painted	Trend/Gold Brass	Pieces per pack
044241	CHIC - SASH HINGE SET	C001	RX	X				10
044242	CHIC - SASH HINGE SET	C001	LX	X				10