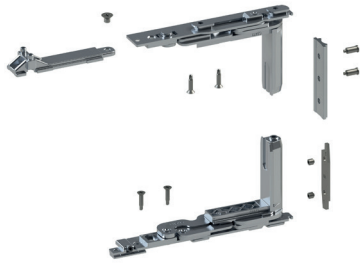


## CHIC 3D 150 SASH HINGE SET



### Functions

Set of hinges (top and bottom) for side-hung or secondary sash with tilt-and-turn CHIC 3D 150.

Online data sheet

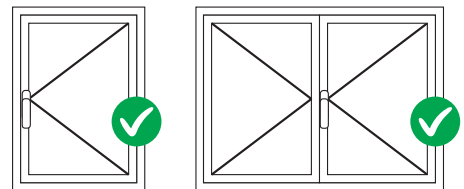


### Technical Features

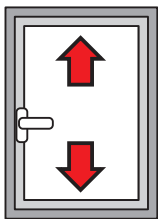
Sash opening to 180°. Maximum load capacity 150 kg. Available in right- and left-hand versions. Assembly is simple, fast and easy using the special pre-assembled cams. When there is an additional fastening mechanism, you need to use the CHIC fastening element. Both hinges are adjustable (3D). If opening is obstructed, you need to use the FRIZ limitation arm. **CAUTION:** This hinge is designed to be used only on inward opening casements and is not suitable for outward opening casements.

### Materials

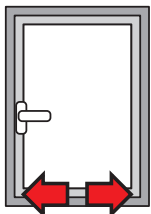
Corner support made of zamak  
Connecting brackets and hinge plates made of zinc plated steel  
Pins made of 304 grade stainless steel and aluminium bronze  
Cams made of zinc plated steel



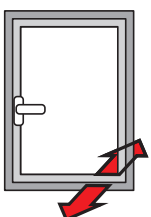
### ADJUSTMENTS [mm]



Height:  
+2.5 / -1

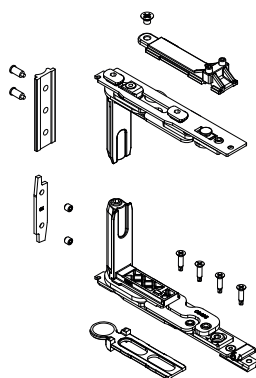


Side:  
+1.5 / -1.5

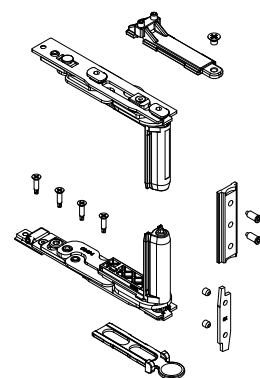


Hinge compression:  
+1.4 / -0.6

0436421



0436411



### Adjustments

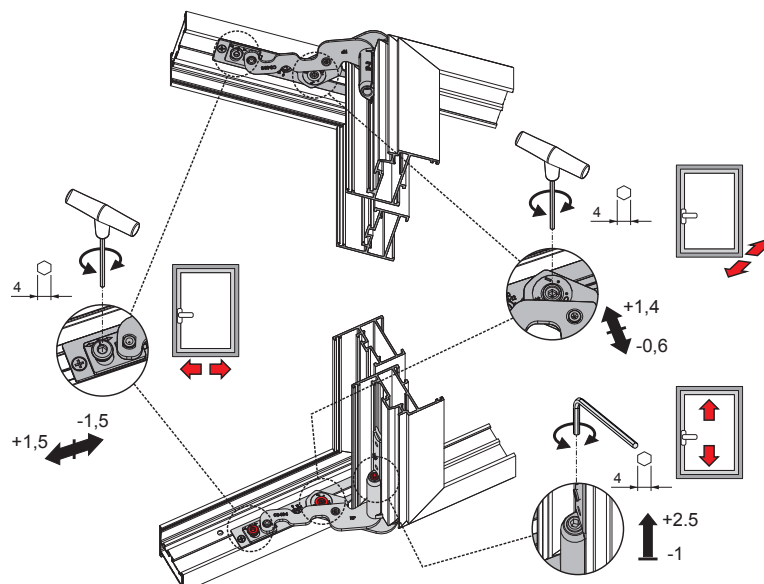


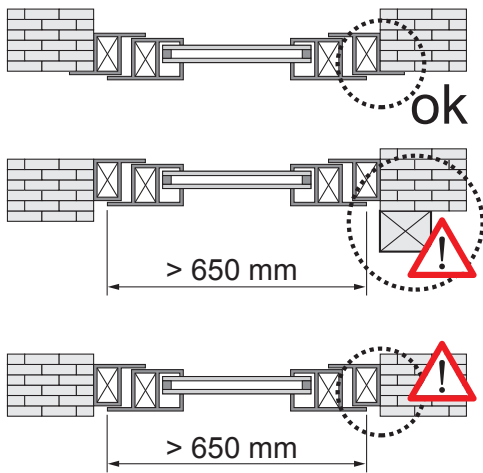
Table of maximum glass thickness [mm]

|      |     |     |     |     |     |     |      |      |      |      |      |      |      |
|------|-----|-----|-----|-----|-----|-----|------|------|------|------|------|------|------|
| 2800 | 35  | 29  | 25  | 22  | 19  | 17  | 16   | 14   | 13   | 12   | 12   |      |      |
| 2700 | 37  | 31  | 26  | 23  | 20  | 18  | 17   | 15   | 14   | 13   | 12   |      |      |
| 2600 | 39  | 32  | 28  | 24  | 21  | 19  | 18   | 16   | 15   | 14   | 13   | 12   |      |
| 2500 | 43  | 35  | 30  | 27  | 24  | 21  | 19   | 18   | 16   | 15   | 14   | 13   |      |
| 2400 | 43  | 35  | 30  | 27  | 24  | 21  | 19   | 18   | 16   | 15   | 14   | 13   |      |
| 2300 | 44  | 37  | 32  | 28  | 25  | 22  | 20   | 18   | 17   | 16   | 15   | 14   |      |
| 2200 | 46  | 39  | 33  | 29  | 26  | 23  | 21   | 19   | 18   | 17   | 15   | 14   |      |
| 2100 | 49  | 40  | 35  | 30  | 27  | 24  | 22   | 20   | 19   | 17   | 16   | 15   |      |
| 2000 | 51  | 43  | 36  | 32  | 28  | 26  | 23   | 21   | 20   | 18   | 17   | 16   |      |
| 1900 | 54  | 45  | 38  | 34  | 30  | 27  | 24   | 22   | 21   | 19   | 18   | 17   |      |
| 1800 | 57  | 47  | 40  | 35  | 31  | 28  | 26   | 24   | 22   | 20   | 19   | 18   |      |
| 1700 | 60  | 50  | 43  | 38  | 33  | 30  | 27   | 25   | 23   | 21   | 20   | 18   |      |
| 1600 | 60  | 53  | 46  | 40  | 35  | 32  | 29   | 27   | 25   | 23   | 21   | 18   |      |
| 1500 | 60  | 57  | 49  | 43  | 38  | 34  | 31   | 28   | 26   | 24   | 21   | 18   |      |
| 1400 | 60  | 60  | 52  | 46  | 40  | 36  | 33   | 30   | 28   | 24   | 21   | 18   |      |
| 1300 | 60  | 60  | 56  | 49  | 44  | 39  | 36   | 33   | 28   | 24   | 21   | 18   |      |
| 1200 | 60  | 60  | 60  | 53  | 47  | 43  | 39   | 33   | 28   | 24   | 21   |      |      |
| 1100 | 60  | 60  | 60  | 58  | 52  | 46  | 39   | 33   | 28   | 24   |      |      |      |
| 1000 | 60  | 60  | 60  | 60  | 57  | 47  | 39   | 33   | 28   |      |      |      |      |
| 900  | 60  | 60  | 60  | 60  | 58  | 47  | 39   | 33   |      |      |      |      |      |
| 800  | 60  | 60  | 60  | 60  | 58  | 47  | 39   |      |      |      |      |      |      |
| 700  | 60  | 60  | 60  | 60  | 58  | 47  |      |      |      |      |      |      |      |
| 600  | 200 | 500 | 600 | 700 | 800 | 900 | 1000 | 1100 | 1200 | 1300 | 1400 | 1500 | 1600 |

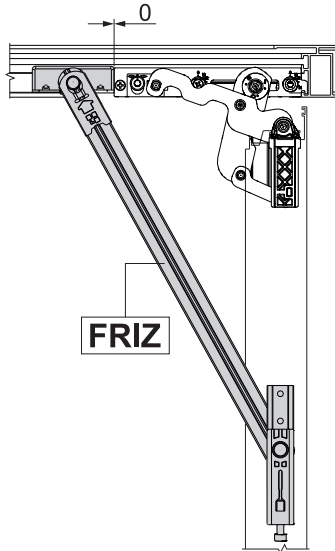
Table of maximum load capacity [kg]

|      |     |     |     |     |     |     |      |      |      |      |      |      |      |     |
|------|-----|-----|-----|-----|-----|-----|------|------|------|------|------|------|------|-----|
| 2800 | 124 | 124 | 124 | 124 | 124 | 124 | 124  | 124  | 124  | 124  | 124  | 124  | 124  |     |
| 2700 | 126 | 126 | 126 | 126 | 126 | 126 | 126  | 126  | 126  | 126  | 126  | 126  | 126  |     |
| 2600 | 128 | 128 | 128 | 128 | 128 | 128 | 128  | 128  | 128  | 128  | 128  | 128  | 128  | 128 |
| 2500 | 130 | 130 | 130 | 130 | 130 | 130 | 130  | 130  | 130  | 130  | 130  | 130  | 130  | 130 |
| 2400 | 130 | 130 | 130 | 130 | 130 | 130 | 130  | 130  | 130  | 130  | 130  | 130  | 130  | 130 |
| 2300 | 130 | 130 | 130 | 130 | 130 | 130 | 130  | 130  | 130  | 130  | 130  | 130  | 130  | 130 |
| 2200 | 130 | 130 | 130 | 130 | 130 | 130 | 130  | 130  | 130  | 130  | 130  | 130  | 130  | 130 |
| 2100 | 130 | 130 | 130 | 130 | 130 | 130 | 130  | 130  | 130  | 130  | 130  | 130  | 130  | 130 |
| 2000 | 130 | 130 | 130 | 130 | 130 | 130 | 130  | 130  | 130  | 130  | 130  | 130  | 130  | 130 |
| 1900 | 130 | 130 | 130 | 130 | 130 | 130 | 130  | 130  | 130  | 130  | 130  | 130  | 130  | 130 |
| 1800 | 130 | 130 | 130 | 130 | 130 | 130 | 130  | 130  | 130  | 130  | 130  | 130  | 130  | 130 |
| 1700 | 130 | 130 | 130 | 130 | 130 | 130 | 130  | 130  | 130  | 130  | 130  | 130  | 130  | 127 |
| 1600 | 130 | 130 | 130 | 130 | 130 | 130 | 130  | 130  | 130  | 130  | 130  | 130  | 127  | 119 |
| 1500 | 130 | 130 | 130 | 130 | 130 | 130 | 130  | 130  | 130  | 130  | 130  | 128  | 119  | 112 |
| 1400 | 130 | 130 | 130 | 130 | 130 | 130 | 130  | 130  | 130  | 130  | 129  | 119  | 111  | 104 |
| 1300 | 130 | 130 | 130 | 130 | 130 | 130 | 130  | 130  | 130  | 129  | 119  | 111  | 103  | 97  |
| 1200 | 130 | 130 | 130 | 130 | 130 | 130 | 130  | 130  | 130  | 119  | 110  | 102  | 95   |     |
| 1100 | 130 | 130 | 130 | 130 | 130 | 130 | 130  | 130  | 119  | 109  | 101  | 94   |      |     |
| 1000 | 130 | 130 | 130 | 130 | 130 | 119 | 108  | 99   | 92   |      |      |      |      |     |
| 900  | 130 | 130 | 130 | 130 | 119 | 107 | 98   | 90   |      |      |      |      |      |     |
| 800  | 130 | 130 | 130 | 119 | 106 | 95  | 87   |      |      |      |      |      |      |     |
| 700  | 130 | 130 | 119 | 104 | 93  | 84  |      |      |      |      |      |      |      |     |
| 600  | 200 | 500 | 600 | 700 | 800 | 900 | 1000 | 1100 | 1200 | 1300 | 1400 | 1500 | 1600 |     |

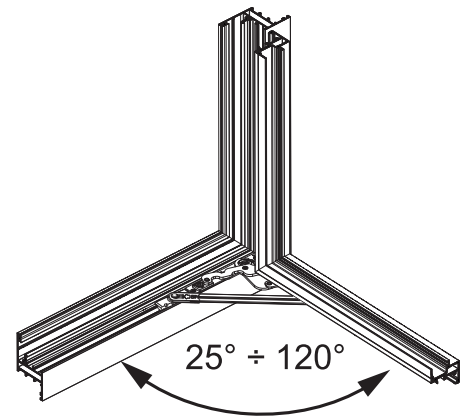
Mandatory to use the FRIZ arm



FRIZ arm positioning



Opening angle with FRIZ arm



| Item code | Description           | PROFILE CROSS - SECTION       | Hand | Base Raw | Anodised Elox | Painted | Trend/Gold Brass | Pieces per pack |
|-----------|-----------------------|-------------------------------|------|----------|---------------|---------|------------------|-----------------|
| 0436411   | CHIC - SASH HINGE SET | C001-C002-C003-C004-C005-C006 | RX   | X        |               |         |                  | 10              |
| 0436421   | CHIC - SASH HINGE SET | C001-C002-C003-C004-C005-C006 | LX   | X        |               |         |                  | 10              |