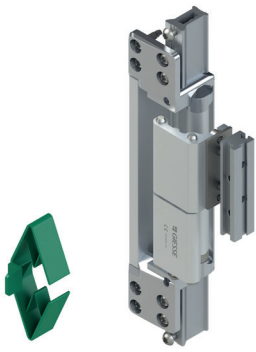


CHIC DOOR 160 HINGE

Functions

Reversible door hinge, to be applied inside the profiles for complete invisibility when the door is closed and adjustable in three directions (width, height and compression).

Online data sheet



Technical Features

Hinge with concealed installation, suitable for aluminium doors, even of large size, which meet most of the residential, commercial and public applications. An innovative system (patented) makes hinge installation and sash to frame coupling easier, even in the case of doors installed in architectural stack. Reduced profile machining and functional fixing devices on the hinge facilitate the doors production, reducing their production times.

CHIC Door is adjustable in three directions:

- Side adjustment (+/- 3 mm), using an Allen key on the hinge adjusters.
- Height adjustment (- 2 /+ 3 mm), using an Allen key on the adjustment screw.
- Compression adjustment (+/- 1 mm), obtainable by turning the screws on the sash hinge body.

Hinge tested in compliance with EN1935.

Compulsory: opening limiter.

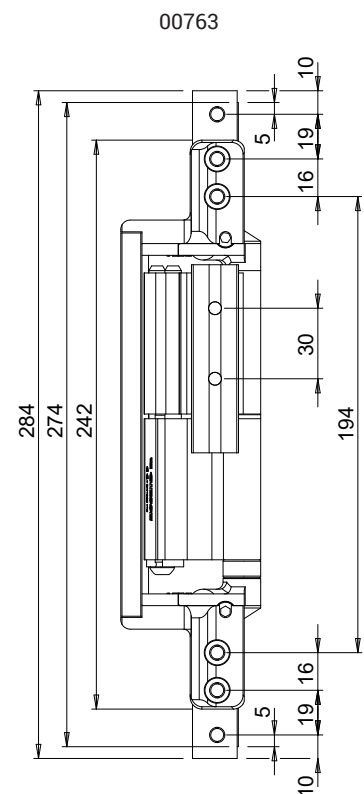
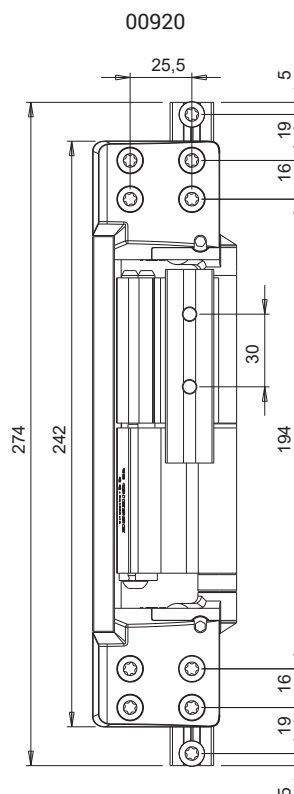
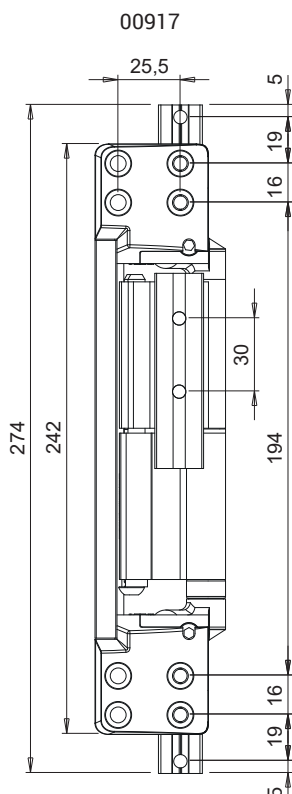
Materials

Extruded aluminium hinge bodies and upright
Main pin in white anodised turned aluminium
Bases and anchors in sealed white galvanised zamak

Axial bearing, adjustment plate and secondary stainless steel pins
Extruded aluminium fixing plates
Stainless steel screws and spring
Hostaform bushing
POM template

Capacities

160 kg with 2 hinges



CONCEALED HINGES FOR DOOR

DOOR WEIGHT REDUCTION COEFFICIENT (CRP) AS A FUNCTION OF SIZE

H	500	600	700	800	900	1000	1100	1200	1300	1400	1500	1600	1700	1800	1900	2000	
4000	1	1	1	1	1	1	1	1	1	1	1	1	1	1	1	1	
3900	1	1	1	1	1	1	1	1	1	1	1	1	1	1	1	0,95	
3800	1	1	1	1	1	1	1	1	1	1	1	1	1	1	1	0,90	
3700	1	1	1	1	1	1	1	1	1	1	1	1	1	1	0,95	0,87	
3600	1	1	1	1	1	1	1	1	1	1	1	1	1	1	0,90	0,83	
3500	1	1	1	1	1	1	1	1	1	1	1	1	1	0,94	0,86	0,80	
3400	1	1	1	1	1	1	1	1	1	1	1	1	1	0,90	0,83	0,77	
3300	1	1	1	1	1	1	1	1	1	1	1	1	1	0,94	0,85	0,79	0,75
3200	1	1	1	1	1	1	1	1	1	1	1	1	1	0,89	0,82	0,76	0,71
3100	1	1	1	1	1	1	1	1	1	1	1	1	0,94	0,85	0,78	0,73	0,69
3000	1	1	1	1	1	1	1	1	1	1	1	1	0,88	0,81	0,75	0,70	0,67
2900	1	1	1	1	1	1	1	1	0,93	0,84	0,76	0,72	0,68	0,65			
2800	1	1	1	1	1	1	1	1	0,88	0,80	0,74	0,69	0,65	0,63			
2700	1	1	1	1	1	1	1	0,93	0,83	0,76	0,71	0,67	0,63	0,61			
2600	1	1	1	1	1	1	1	0,88	0,79	0,72	0,68	0,64	0,61	0,59			
2500	1	1	1	1	1	1	0,93	0,83	0,75	0,69	0,65	0,62	0,60	X			
2400	1	1	1	1	1	1	0,87	0,78	0,71	0,67	0,63	0,60	X	X			
2300	1	1	1	1	1	0,93	0,81	0,74	0,68	0,64	0,61	X	X	X			
2200	1	1	1	1	1	0,85	0,76	0,70	0,65	0,61	X	X	X	X			
2100	1	1	1	1	0,91	0,80	0,72	0,67	0,63	0,59	X	X	X	X			
2000	1	1	1	1	0,85	0,75	0,68	0,64	0,60	X	X	X	X	X			
1900	1	1	1	1	1	1	1	1	1	1	1	1	1	1	1	1	
L	500	600	700	800	900	1000	1100	1200	1300	1400	1500	1600	1700	1800	1900	2000	

To obtain the real sash maximum weight (P) multiply the Pmax value chosen in the Maximum load chart for the weight reduction coefficient (CRP) corresponding to the sash size (W x H).

Example:

W x H = 1200 x 2800 mm

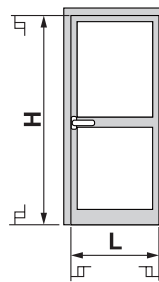
No. 2 hinges

Profile thickness 1,8 mm

Pmax = 160 kg

CRP = 1

P = 160 x 1 = 160 kg

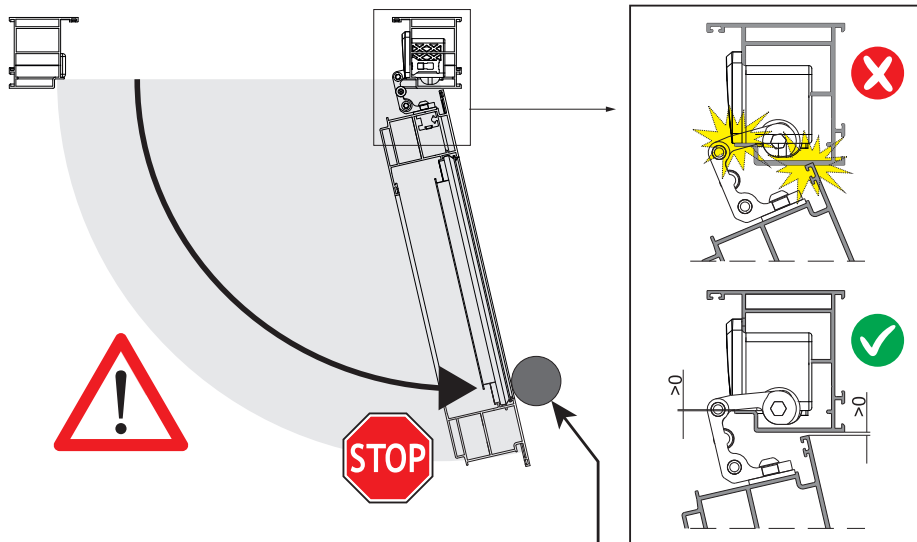


MAXIMUM LOAD CHART

	Pmax			
K ≥ 1,8	160 kg	160 kg	160 kg	107 kg (*)
K = 1,6 ÷ 1,8	160 kg (*)	160 kg (*)	160 kg (*)	107 kg (*)

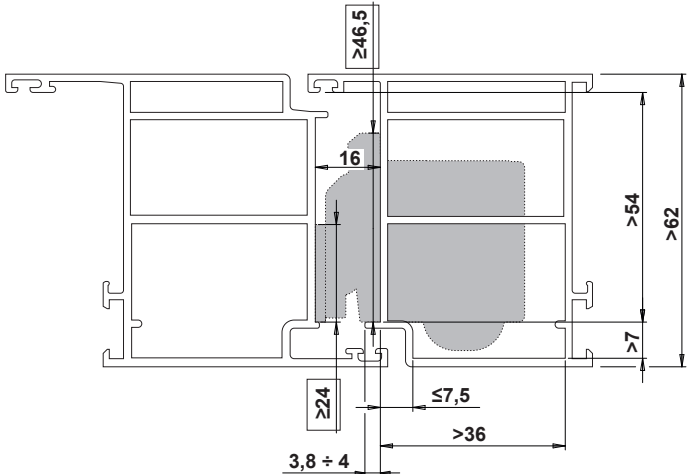
(*) : With back-check facility

(*) : Compulsory: Reinforcement kit art. 00755000

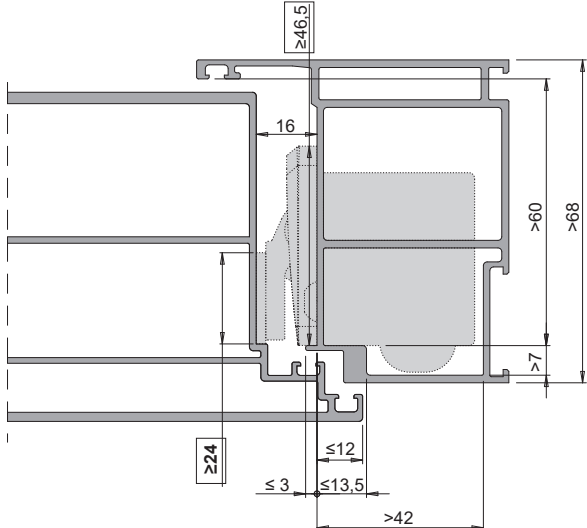


Compulsory: opening limiter.

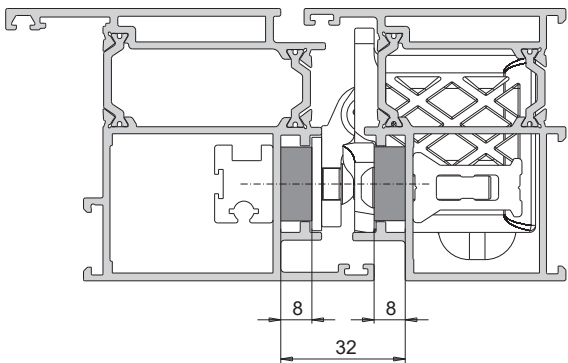
00917



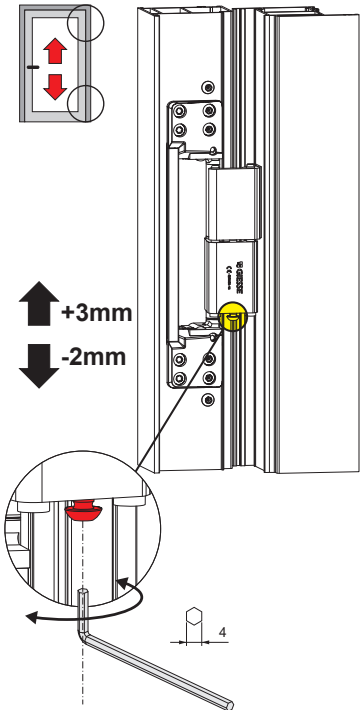
00920



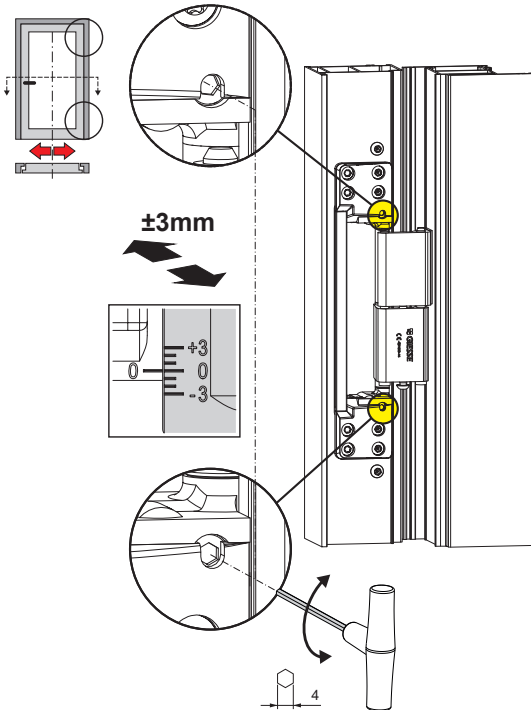
00763



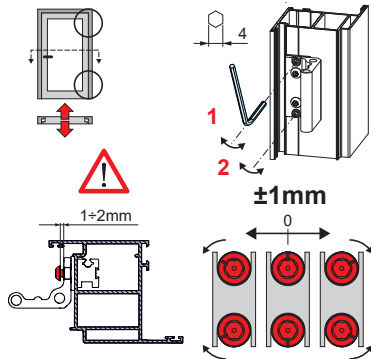
Height adjustment



Side adjustment

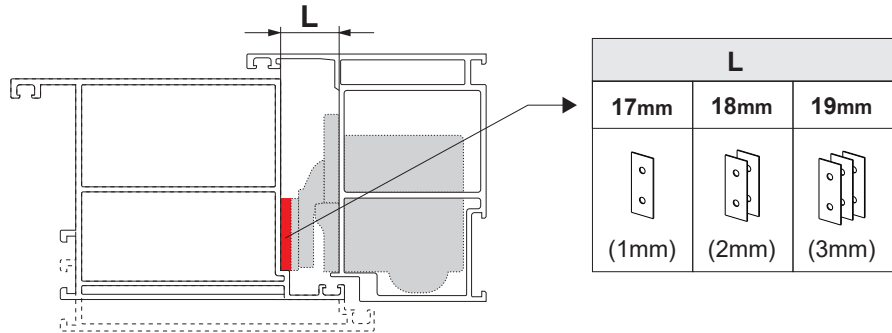
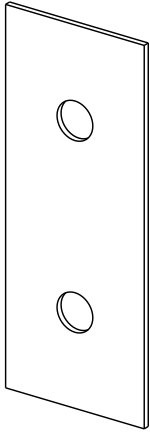


Compression adjustment



CONCEALED HINGES FOR DOOR

00757



Item code	Description	Version	Load capacity 2 hinges [kg]	Height adjustment	Side adjustment	Compression adjustment	Base Raw	Anodised Elox	Painted	Trend/Gold Brass	Pieces per pack
00917	FLUSH CHIC DOOR 160 HINGE	RH (reversible)	160	+3 / -2 mm	±3 mm	±1 mm		X			1
00920	OVERLAP CHIC DOOR 160 HINGE	RH (reversible)	160	+3 / -2 mm	±3 mm	±1 mm		X			1
00763	FLUSH CHIC DOOR CTZ HINGE	RH (reversible)	160	+3 / -2 mm	+2 / -3 mm	±1 mm		X			1
00757	THICKNESS 1 mm CHIC DOOR HINGE	-	-	-	-	-	X				50