

## CHIC HINGES FOR BOTTOM-HUNG WINDOWS



### Functions

Hinge set for concealed Bottom-hung window.

Online data sheet



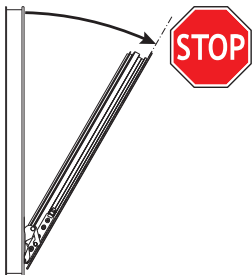
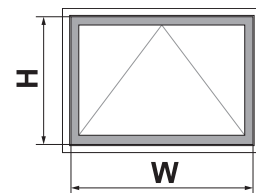
### Technical Features

Total opening of the 180° hinge to facilitate its assembly.  
 Fixing on the frame without machining, by means of pre-assembled cams.  
 Sash height (+2.5 ÷ -0.5 mm) and compression (+1.4 ÷ -0.6 mm) adjustment, micrometric and independent of each other.  
 The hinge is completed by 2 raising components that improve its stability.  
 Maximum load capacity (\*) 250 kg  
 Minimum height (\*) 3,000 mm  
 (\*) these are a consequence of the opening limiter used (see the opening limiters table).  
 Maximum width 2,500 mm. Over 1,500 and 2,000 mm it is necessary to use no. 1 or no. 2 Raising components 04363 (see Raising component use scheme).

### Materials

GS Silver PLUS zamak sash support  
 Connecting brackets, hinge plates and cams in zinc plated steel  
 AISI 304 stainless steel pins and screws  
 Grey polyamide raising component

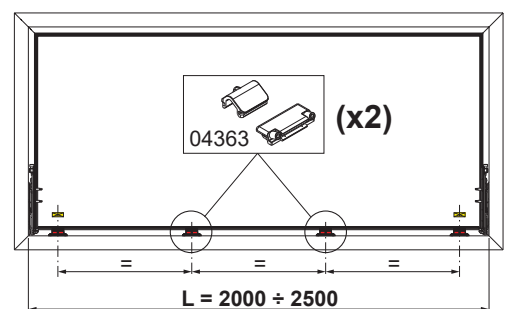
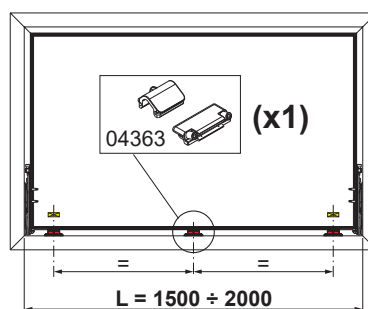
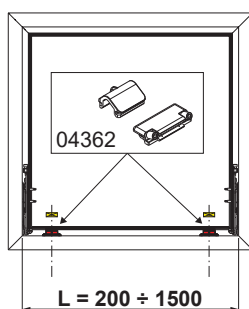
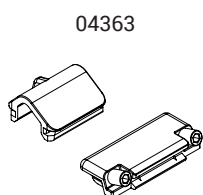
**CHIC** BOTTOM HUNG



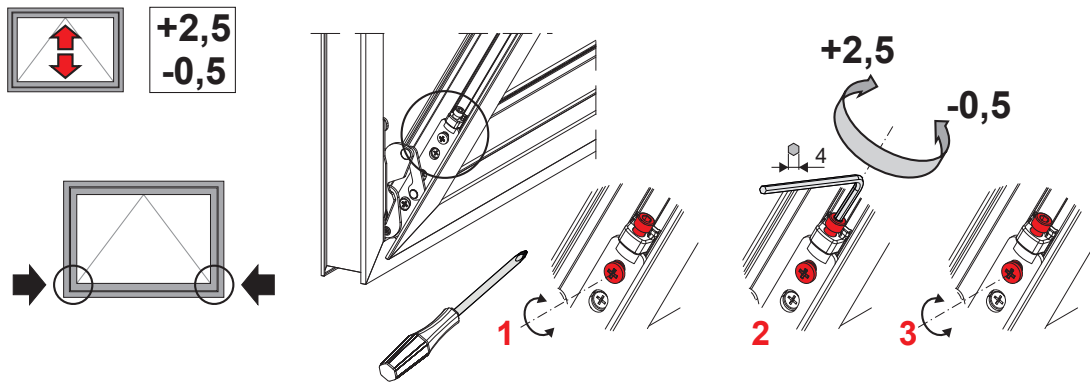
### Compulsory: opening limiter.

Description	Item code	Capacities	W (mm)	H (mm)
RALLENTY (150mm)	02041K	50 kg	200÷2500	400÷1500
RALLENTY (250mm)	02040K	80 kg	200÷2500	570÷2500
FRIZ (140mm)	02800K	130 kg	200÷2500	420÷2500
FRIZ (300mm)	02030K	130 kg	200÷2500	580÷2500
FUTURA HP	01175K	250 kg	780÷2500	600÷3000

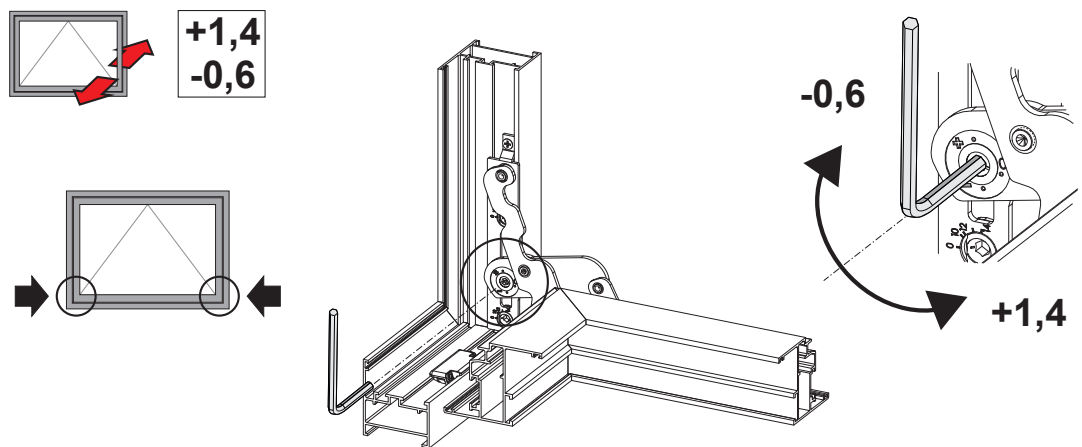
### Raising component use



### Height adjustment



### Compression adjustment



Item code	Description	Note	PROFILE CROSS - SECTION	Base Raw	Anodised Elox	Painted	Trend/Gold Brass	Pieces per pack
04362	CHIC - BOTTOM-HUNG WINDOW HINGE KIT	pair	C001-C002-C004-C005-C006	X				10
04363	CHIC - BOTTOM-HUNG WINDOW RAISING COMPONENT		C001-C002-C004-C005-C006	X				10