

CHIC ERRE HINGES FOR BOTTOM-HUNG WINDOWS



Functions

Hinge set for concealed Bottom-hung window.

Online data sheet



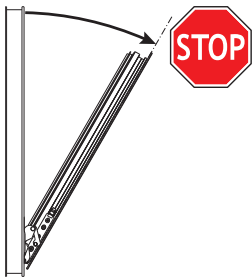
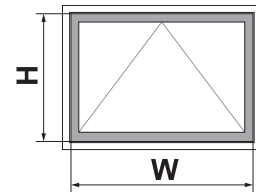
Technical Features

Total opening of the 180° hinge to facilitate its assembly.
 Fixing on the frame without machining, by means of pre-assembled cams.
 Sash height (+2.5 ÷ -0.5 mm) and compression (+1.4 ÷ -0.6 mm) adjustment, micrometric and independent of each other.
 The hinge is completed by 2 raising components that improve its stability.
 Maximum load capacity (*) 250 kg
 Minimum height (*) 3,000 mm
 (*) these are a consequence of the opening limiter used (see the opening limiters table).
 Maximum width 2,500 mm. Over 1,500 and 2,000 mm it is necessary to use no. 1 or no. 2 Raising components 05296 (see Raising component use scheme).

Materials

GS Silver PLUS zamak sash support
 Connecting brackets, hinge plates and cams in zinc plated steel
 AISI 304 stainless steel pins and screws
 Grey polyamide raising component

CHIC BOTTOM HUNG

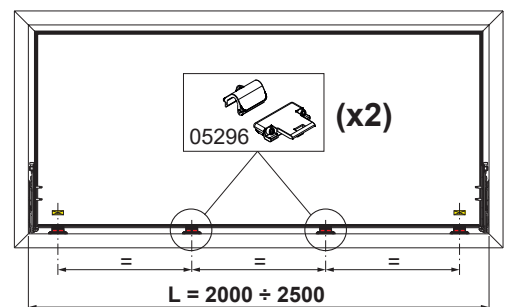
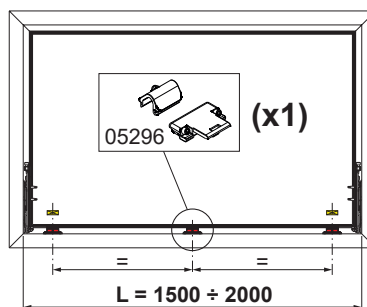
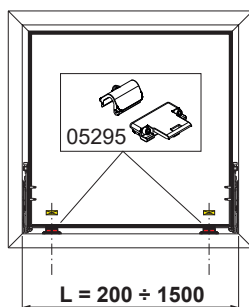
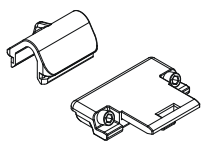


Compulsory: opening limiter.

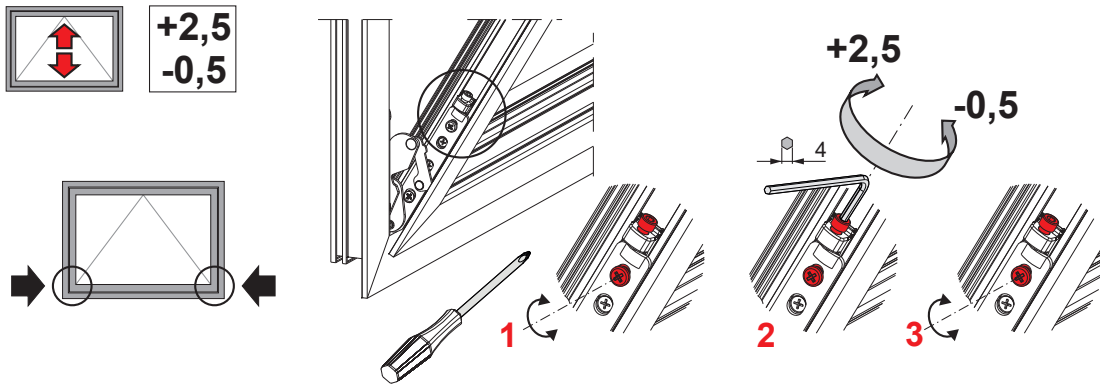
Description	Item code	Capacities	W (mm)	H (mm)
RALLENTY (150mm)	02043K	50 kg	200÷2500	400÷1500
RALLENTY (250mm)	02042K	70 kg	200÷2500	570÷1500
FRIZ (300mm)	02034K	70 kg	200÷2500	580÷2500
FUTURA HP	01207	250 kg	780÷2500	600÷3000

Raising component use

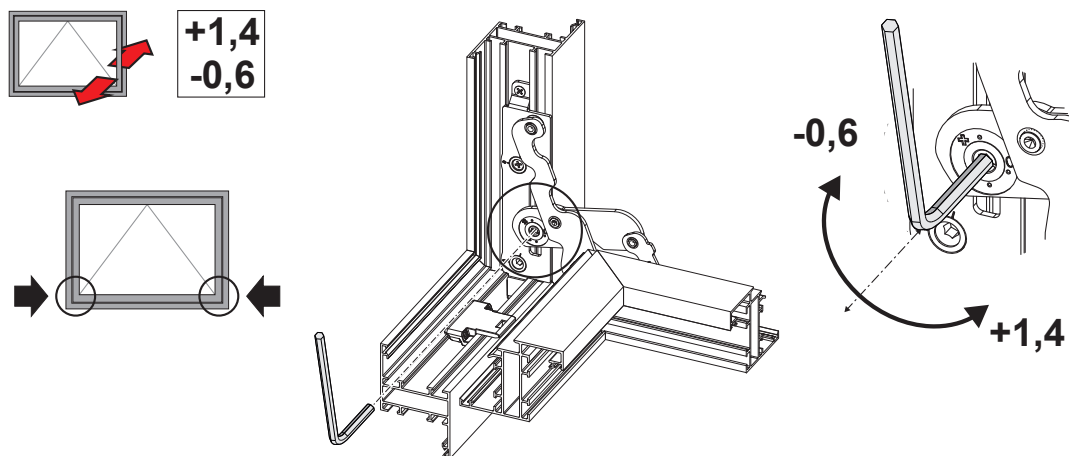
05296



Height adjustment



Compression adjustment



Item code	Description	Note	PROFILE CROSS - SECTION	Base Raw	Anodised Elox	Painted	Trend/Gold Brass	Pieces per pack
05295	CHIC ERRE - BOTTOM-HUNG WINDOW HINGES KIT	pair	C007	X				10
05296	CHIC ERRE - BOTTOM-HUNG WINDOW HINGES RAISING COMPONENT		C007	X				10