

CLASSIC 3D 80 HINGES

Functions

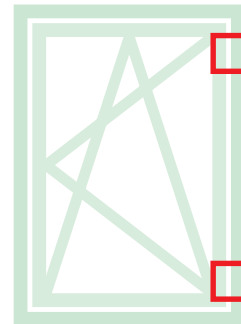
Hinge set (upper and lower), completely pre-assembled and ready to be installed on the profile.

Materials

Extruded aluminium hinge body.

Supports in zamak with GS Silver Plus finish (up to 500 hr corrosion resistance).

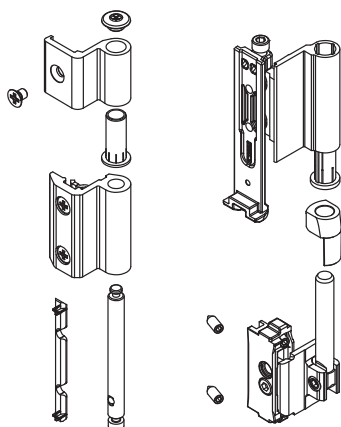
Pins, screws and grub screws in stainless steel.



Online data sheet



04739



Item code	Description	PROFILE CROSS - SECTION	Base Raw	Anodised Elox	Painted	Trend/Gold Brass	Pieces per pack
04739	HINGE T/T CLASSIC 80	C001-C002-C003-C005-C006	X	X	X		10