



## DOMINA HP HINGE, COVER

### Functions

Surface mounting hinge, 2 or 3 wing version (Giese patent) for heavy doors made of aluminium.

Adjustable in three directions.

For combination with paintable covers purchased separately.

For combination with counterplate kit, with expansion dowels for single sealed unit profiles and with M12 direct fixing screw for thermal break profiles.

Online data sheet



### Technical Features

Hinge suitable for doors subject to intensive use (use category 4\* - heavy duty use) with high resistance to fatigue and wear (durability grade 7\* - 200,000 test cycles). Ideal for the assembly of doors characterized by large dimensions, heavy weight and intensive use.

Adjustable in 3 directions with or without door installed:

- micrometric side adjustment ( $\pm 2.5$  mm) with door installed, obtainable by turning the side adjustment screw located in the sash hinge cartridge. The locking grub screw on the sash hinge locks the side adjustment cartridge in the chosen position.

- compression micrometric adjustment ( $\pm 0.5$  mm) obtainable by turning the bushing of the frame hinge (adjuster key art.05053). The locking grub screw, located on the frame hinge, locks the compression adjustment leaving access to the height adjustment.

- micrometric vertical adjustment (0/+4 mm), obtainable by turning the grub screw located at the bottom of the frame hinge. Insertion of the lower plug guarantees that the height adjustment is maintained.

The internal parts of the hinge are completely preassembled in two groups:

- pin cartridge for side adjustment
- cartridge with thrust bush for height and compression adjustments

For combination with counterplate kit, with expansion dowels for single sealed unit profiles and with M12 direct fixing screws for thermal break profiles.

Profile can be prepared with  $\varnothing 11$  mm holes (for all fixing systems) using drill templates item 03237 and item 05052.

The hinge does not have screw-cover plates and is used in combination with paintable covers (purchased separately), secured to the hinge by pull screws driven from the inside and removable only with the sash open (tamper-proof).

When applied to a non-flush profile, the hinge is fitted in combination with shim steps selected according to the type of fixing used for the profile:

- steps with centering bushes: for counterplate kit and expansion dowels for single sealed unit profile
- steps without centering bushes: for M12 direct fixing screws.

and to the relative extruded aluminium concealer which combines with the cover to encase the hinge completely.

\* Complies with EN 1935

### Materials

#### Hinge

Extruded aluminium hinge bodies, anodized black  
Zamak pin cartridge and bush cartridge with GS Silver Plus finish (up to 500 h corrosion resistance)

$\varnothing 12$  pin, stainless steel

Side adjustment screw made of treated steel ensuring high resistance to corrosion

Thrust bush, acetal resin

Grub screws and vertical adjustment setscrew, stainless steel

Screw concealer plate fixing screws, zinc-coated steel

Polyamide concealer caps

#### Cover

Zamak covering for hinge

Cover for extruded aluminium shim steps

Hinge cover fixing screws, zinc-coated steel

### Capacities

Up to 160 kg with two 2-wing hinges

Up to 180 kg with three 2-wing hinges

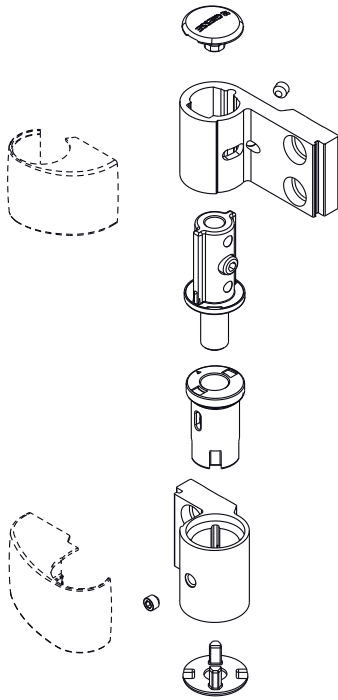
Up to 180 kg with two 3-wing hinges

Up to 200 kg with three 3-wing hinges

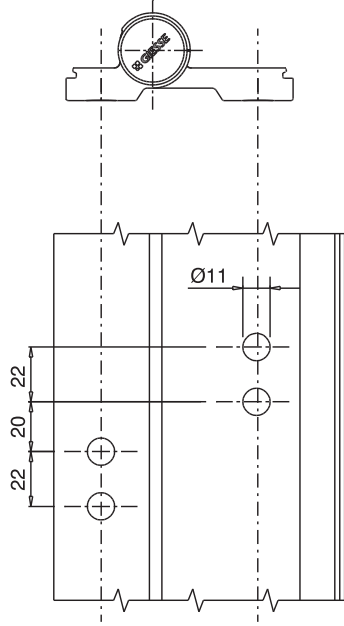
CE Mark in compliance EN1935

Preparation of profiles for 2-wing hinge

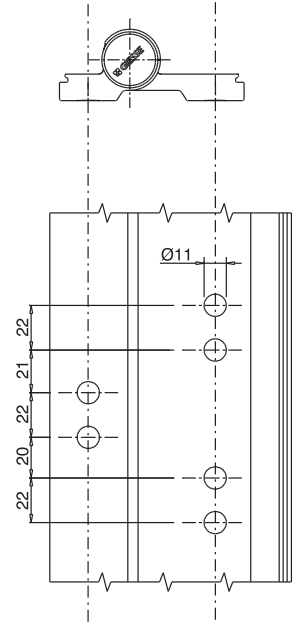
Preparation of profiles for 3-wing hinge



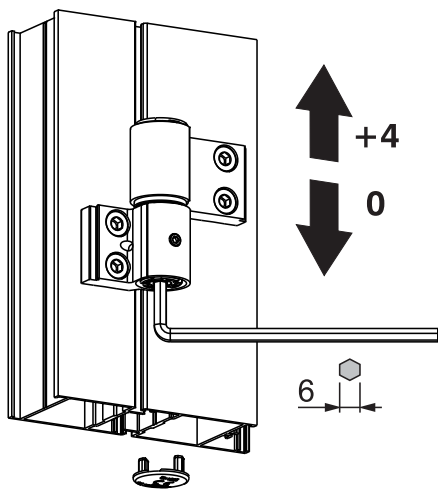
Height adjustment



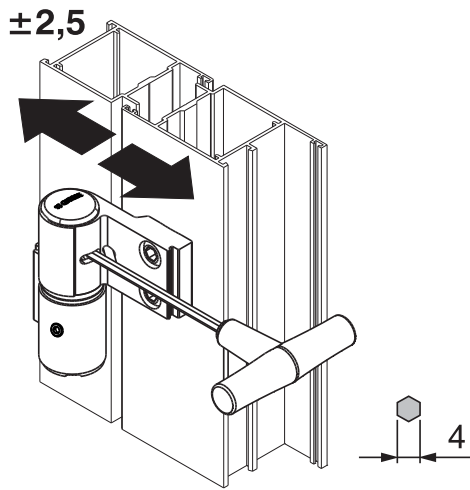
Side adjustment



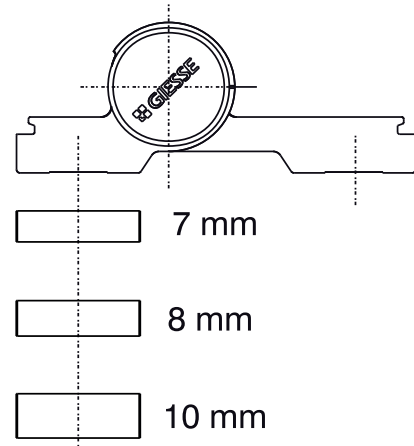
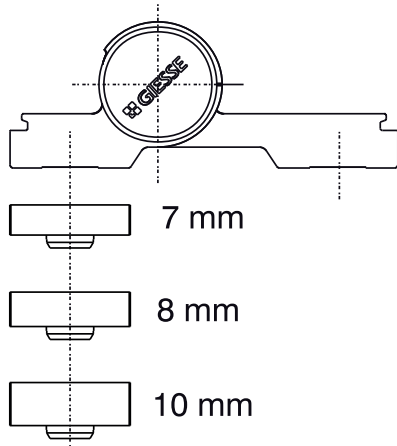
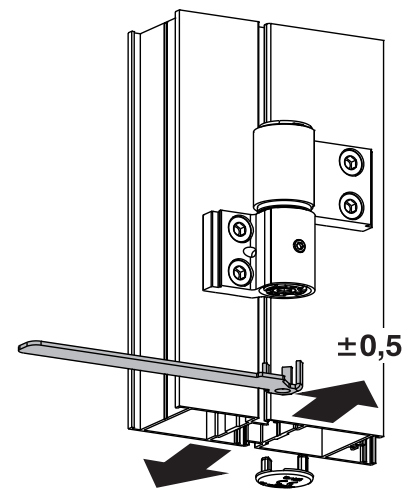
Compression adjustment

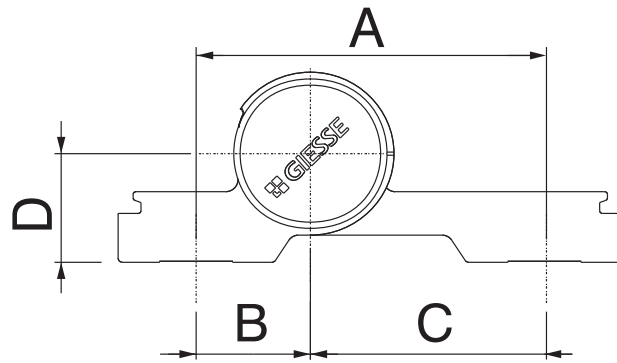


Steps with bushes



Steps without bushes





Item code	Description	COVER code	Version	C/C distance A [mm]	B [mm]	C [mm]	Lift D [mm]	Load capacity 2 hinges [kg]	Load capacity 3 hinges [kg]	CE marking	Base Raw	Anodised Elox	Painted	Trend/Gold Brass	Pieces per pack
05120V	DOMINA HP COVER	06120N	2 leaf	62,5	20,5	42		160	180	Class 14		X			10
05121V	DOMINA HP COVER	06121N	3 leaf	62,5	20,5	42		180	200	Class 14		X			10
05122V	DOMINA HP COVER	06122N	2 leaf	70,5	20,5	50		120	140	Class 13		X			10
05124V	DOMINA HP COVER	06124N	2 leaf	78	20,5	57,5		120	140	Class 13		X			10
05125V	DOMINA HP COVER	06125N	3 leaf	78	20,5	57,5		140	160	Class 12		X			10
05126V	DOMINA HP COVER	06126N	2 leaf	84	42	42		120	140	Class 13		X			10
05127V	DOMINA HP COVER	06127N	3 leaf	84	42	42		140	160	Class 12		X			10
05128V	DOMINA HP COVER	06128N	2 leaf	92	42	50		100	120	Class 12		X			10
05130V	DOMINA HP COVER	06130N	2 leaf	99,5	42	57,5		100	120	Class 12		X			10
05132V	DOMINA HP COVER	06132N	2 leaf	62,5	20,5	42	36	160	180	Class 13		X			10
05134V	DOMINA HP COVER	06134N	2 leaf	62,5	20,5	42	27	160	180	Class 13		X			10
05135V	DOMINA HP COVER	06135N	3 leaf	62,5	20,5	42	27	180	200	Class 14		X			10
05136V	DOMINA HP COVER	06136N	2 leaf	62,5	20,5	42	28	160	180	Class 13		X			10
05137V	DOMINA HP COVER	06137N	3 leaf	62,5	20,5	42	28	180	200	Class 14		X			10
05138V	DOMINA HP COVER	06138N	2 leaf	62,5	20,5	42	30	160	180	Class 13		X			10
05139V	DOMINA HP COVER	06139N	3 leaf	62,5	20,5	42	30	180	200	Class 14		X			10