

CHIC 3D 150 HINGES AND ARMS

Functions

Set of hinges (top and bottom), completely pre-assembled and ready to be installed on the profile.

Technical Features

They enable tilt-and-turn opening combined with the mechanisms.

Available in right- and left-hand versions.

Micro-ventilation and logica versions.

The arm is equipped with micro-ventilation as standard (adjustable).

Moving the fastening pawl takes the arm from conventional to logica.

The T2 arm is adjustable: the opening "A" goes from 178 mm (base) to 148 mm.

Materials

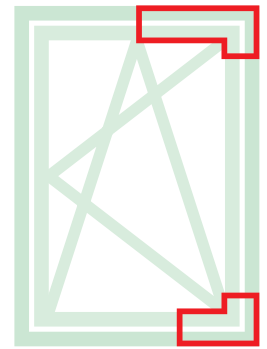
Corner support made of zamak

Connecting brackets and hinge plates made of zinc plated steel

Pins made of 304 grade stainless steel and aluminium bronze

Cams made of zinc plated steel

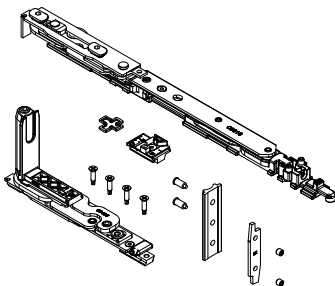
Connecting bracket and arm rod made of 304 grade stainless steel



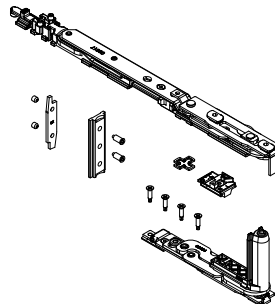
Online data sheet



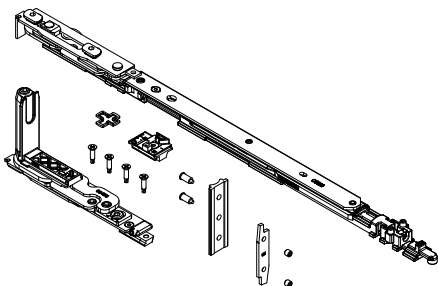
0436521



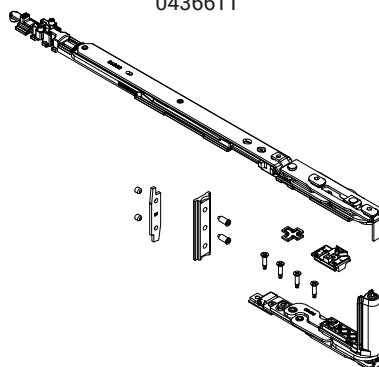
0436511



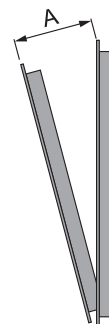
0436621

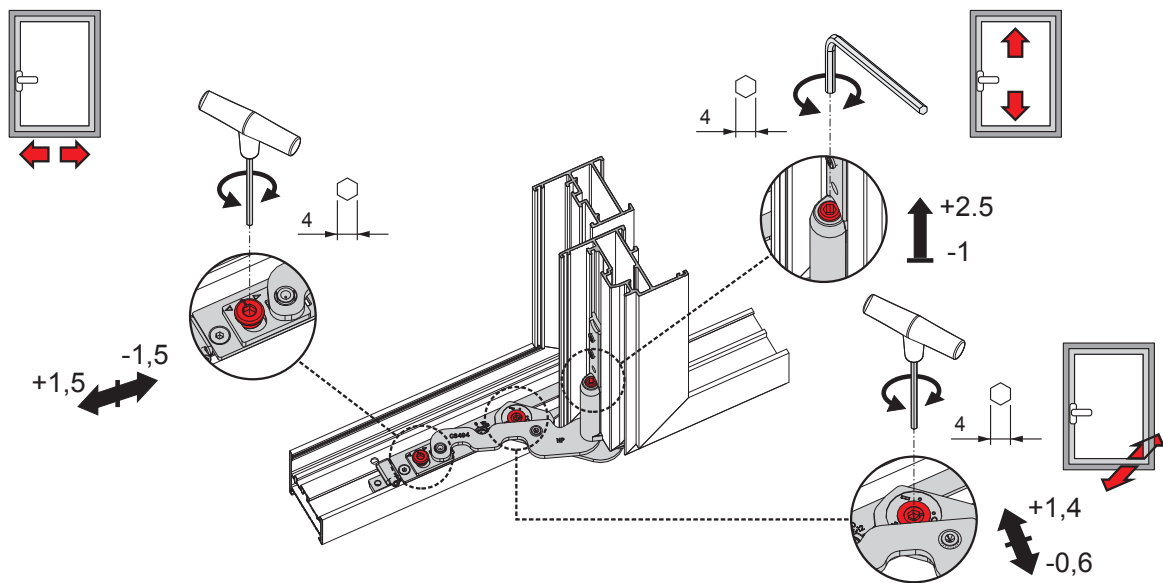
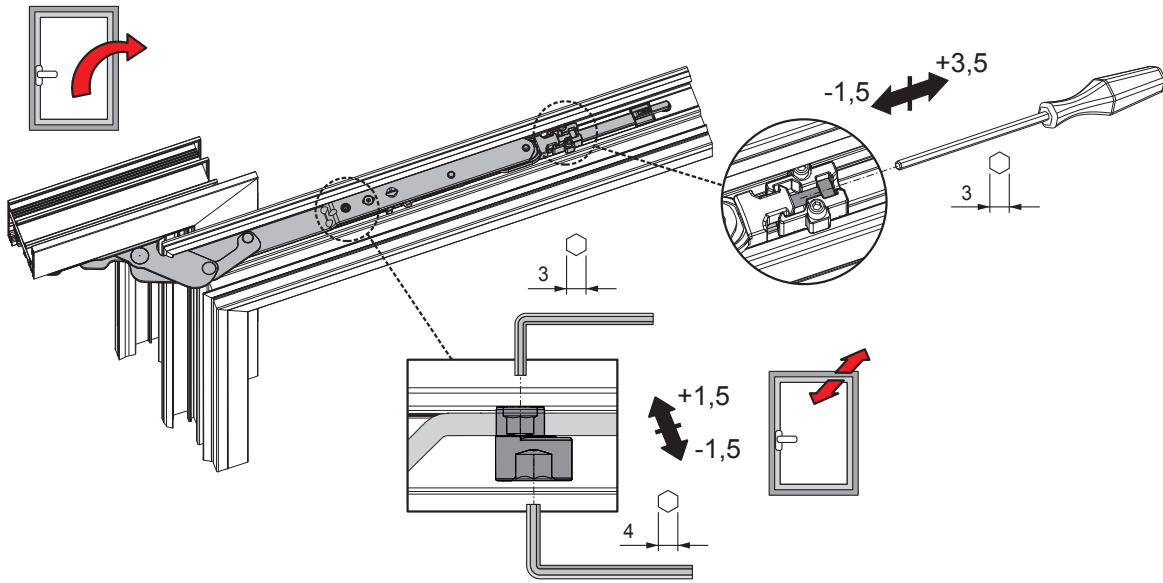


0436611



Sash opening





Item code	Description	PROFILE CROSS - SECTION	Range (mm)	Version	A (mm)	Hand	Base Raw	Anodised Elox	Painted	Trend/Gold Brass	Pieces per pack
0436511	CHIC 150 - T1 ARM T&T KIT	C001-C002-C003-C004-C005-C006	L 470 ÷ 700	Micro	-	RX	X				10
0436521	CHIC 150 - T1 ARM T&T KIT	C001-C002-C003-C004-C005-C006	L 470 ÷ 700	Micro	-	LX	X				10
0436611	CHIC 150 - T2 ARM T&T KIT	C001-C002-C003-C004-C005-C006	L 600 ÷ 1600	Micro	148÷178	RX	X				10
0436621	CHIC 150 - T2 ARM T&T KIT	C001-C002-C003-C004-C005-C006	L 600 ÷ 1600	Micro	148÷178	LX	X				10