

FLASH HINGES

Functions

Two-handed adjustable hinge for aluminium casement window and door fixtures with central gasket seal.

Online data sheet



Technical Features

Supplied preassembled to enable fast installation and faultless positioning of the hinge on already assembled fixtures.

The burglar-proof pin, made of forged stainless steel, features a collar mid-way along its length that prevents any forcible attempt at removal.

Special fixing plates, preassembled with the hinge bodies (Giesse RAPID system), enable fast installation and faultless positioning of the hinge on already assembled fixtures.

The FLASH hinge is fitted extremely quickly to the sash and frame, even when the fixture has already been assembled.

The particular geometry of the hinge and of the plate enables swift and simple application to the already assembled fixture, and faultless positioning of the hinge when fixing the screws.

Adjustments

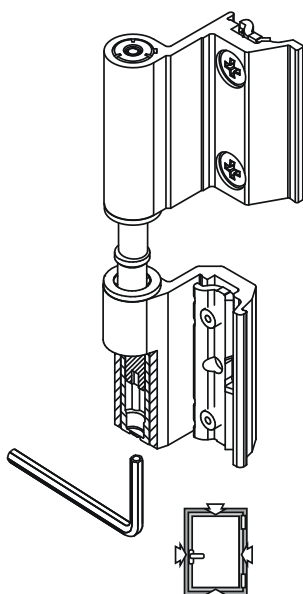
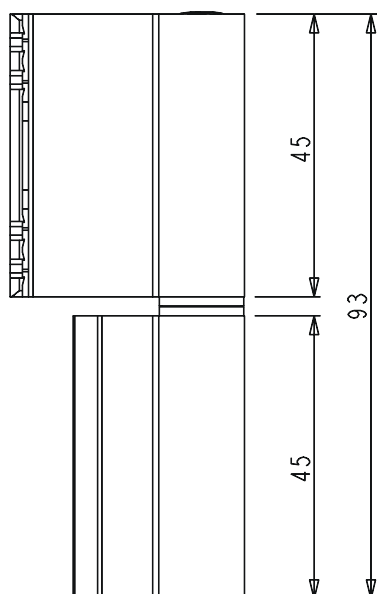
The hinge features an eccentric pin which, when adjusted by rotation in the respective bush, provides a compression and distance adjustment of ± 0.3 mm.

Materials

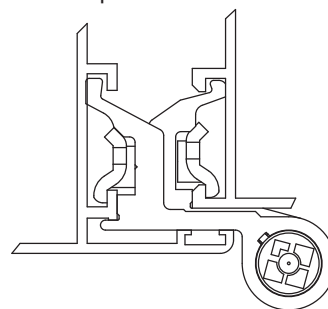
Extruded aluminium hinge bodies
Stainless steel pin, screws and fixing plates
Polyamide bushes

Capacities

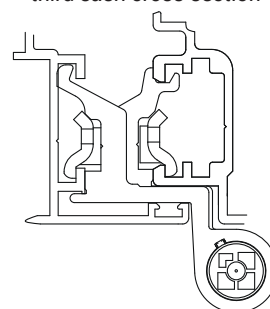
With 2 FLASH BASE hinges: 75 kg
With 3 FLASH BASE hinges: 85 kg
assuming fixtures of 2000 mm height and 1000 mm width.



Side profile cross-section



third sash cross-section



HINGES FOR WINDOWS

Item code	Description	PROFILE CROSS - SECTION	Third sash	Base Raw	Anodised Elox	Painted	Trend/Gold Brass	Pieces per pack
00149U	FLASH HINGE	see Where Used		X	X	X	X	20
00150U	FLASH HINGE	C001		X	X	X	X	20
00151U	FLASH HINGE	see Where Used	X	X	X	X	X	20
00157U	FLASH HINGE	see Where Used	X	X		X	X	20
00219U	FLASH HINGE	see Where Used		X	X	X	X	20

Note: For the «Third sash» hinges, check the correct series on Where-used.