



FLASH SLR HINGES

Functions

Clamp door hinge for profile with channel.
Adjustable in one direction.

Online data sheet



Technical Features

Hinge suitable for doors subject to intensive use (use category 4* - heavy duty use).

Fixing plates of special geometry, insertable from the side into the channel of the sash and frame profiles when already assembled, guarantee the firmest possible attachment to the profile.

Side adjustment (± 1 mm) obtainable with door installed by turning the eccentric bush in the sash part of the hinge with special key item 03900.

With the removable pin, the sash can be separated from the frame without lifting (e.g. where space is restricted).

* Complies with EN 1935

Materials

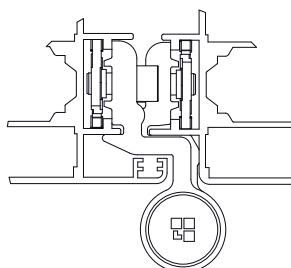
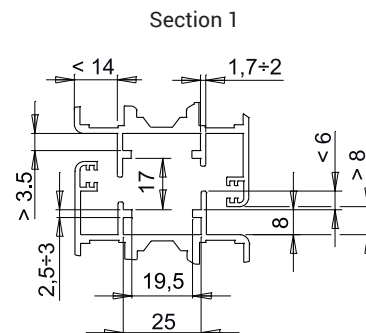
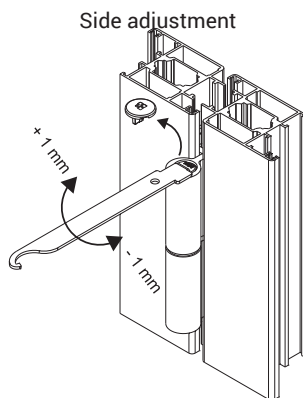
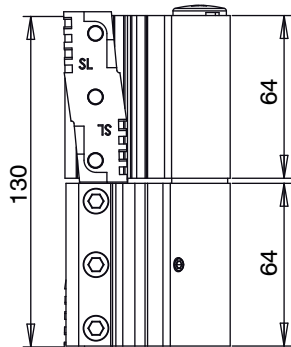
Extruded aluminium hinge bodies
 $\varnothing 10$ pin, fixing plates and fixing screws, all stainless steel

Eccentric bush and washer, acetal resin
Polyamide cap

Capacities

120 kg with 2 hinges

140 kg with 3 hinges



Item code	Description	Application reference section	Load capacity 2 hinges [kg]	Load capacity 3 hinges [kg]	Base Raw	Anodised Elox	Painted	Trend/Gold Brass	Pieces per pack
00940	FLASH SLR HINGE	section 1	120	140	X	X	X		20