

FLASH XLR HINGES



Functions

Clamp door hinge for profile with channel.
Adjustable in two directions.

Online data sheet



Technical Features

Hinge suitable for doors subject to intensive use (use category 4* - heavy duty use).

Fixing plates of special geometry, insertable from the side into the channel of the sash and frame profiles when already assembled, guarantee the firmest possible attachment to the profile.

The thrust bearing located between the two hinge bodies increases resistance of the hinge to fatigue and wear (durability grade 7* - 200,000 test cycles).

Adjustments in two directions with door installed:

- side adjustment (± 2 mm), obtainable by turning the eccentric bushes in the hinges with special key item 03900

- height adjustment (-2/+4 mm) obtainable by means of sash lift support block supplied with the hinge, to be positioned against the sash leaf.

* Complies with EN 1935

Materials

Extruded aluminium hinge bodies
 $\varnothing 10$ pin, thrust bearing, fixing plates and fixing screws, all stainless steel

Lift support block, extruded aluminium

Height adjustment grub screw, stainless steel

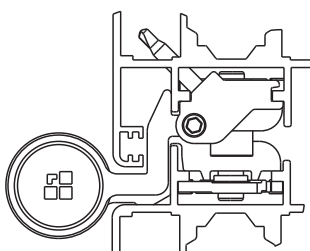
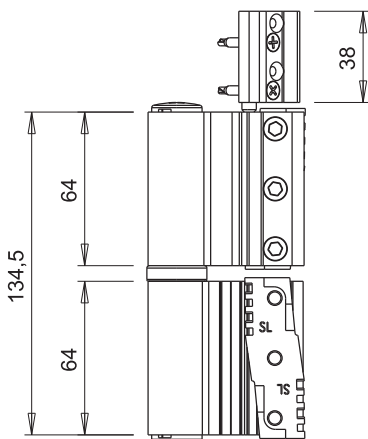
Eccentric bushes, acetal resin

Polyamide caps

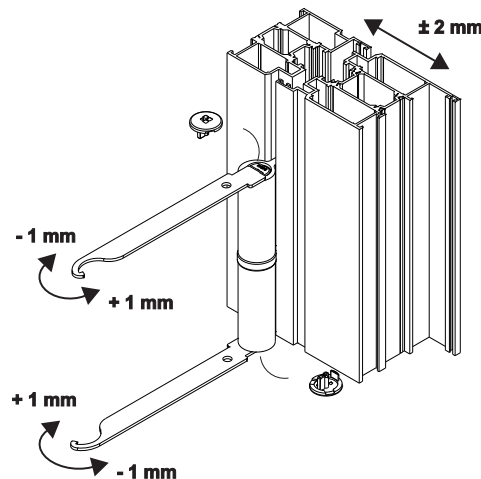
Capacities

120 kg with 2 hinges

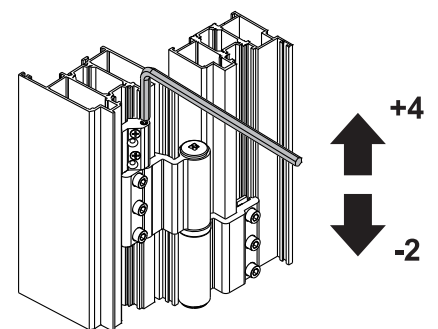
140 kg with 3 hinges



Side adjustment

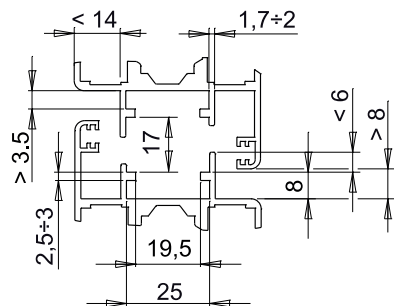


Height adjustment

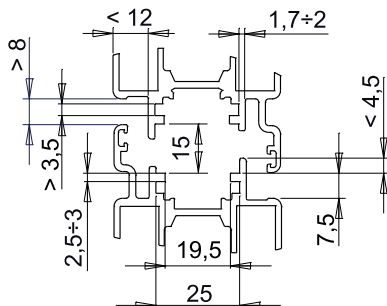


CLAMP DOOR HINGES

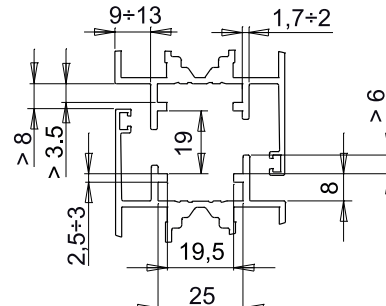
Section 1



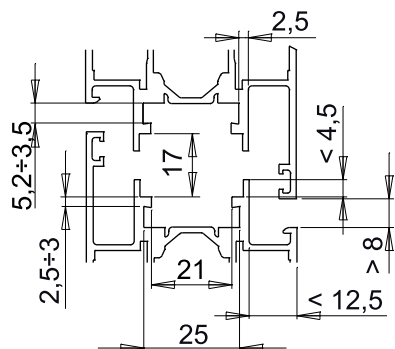
Section 2



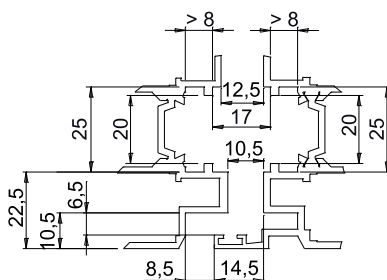
Section 3



Section 5



Section 6



Item code	Description	Application reference section	Load capacity 2 hinges [kg]	Load capacity 3 hinges [kg]	Base Raw	Anodised Elox	Painted	Trend/Gold Brass	Pieces per pack
00925N	FLASH XLR HINGE	section 1	120	140	X	X	X		20
00926N	FLASH XLR HINGE	section 2	120	140	X	X	X		20
00927N	FLASH XLR HINGE	section 3	120	140	X	X	X		20
00929N	FLASH XLR HINGE	section 5	120	140	X	X	X		20
00930	FLASH XLR HINGE	section 6	120	140	X	X	X		20