

FUTURA 3D 130 HINGES

Functions

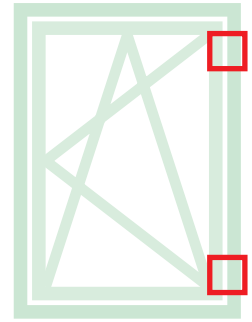
Hinge set (upper and lower), completely pre-assembled and ready to be installed on the profile.

Materials

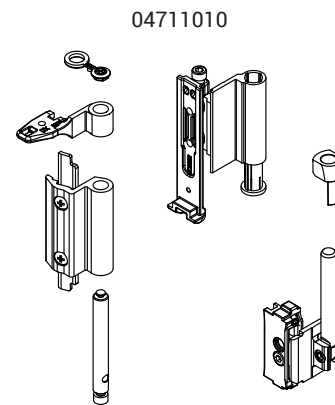
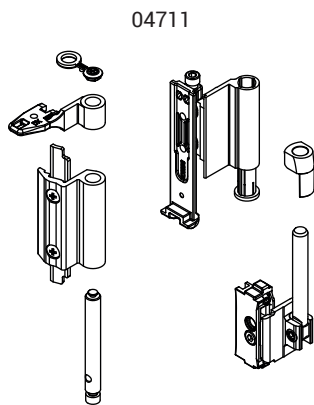
Body of hinges in extruded aluminium and brass.

Supports in zamak with GS Silver Plus finish (up to 500 hr corrosion resistance).

Pins, screws and grub screws in stainless steel.



Online data sheet



Item code	Description	PROFILE CROSS - SECTION	Base Raw	Anodised Elox	Painted	Trend/Gold Brass	Pieces per pack
04711	HINGE T/T FUTURA 130	C001-C002-C003-C005-C006	X		X	X	10
04711010	HINGE T/T FUTURA 130	C001-C003	X		X		10