

**FLUSH FUTURA 3D 80 HINGES**

**Functions**

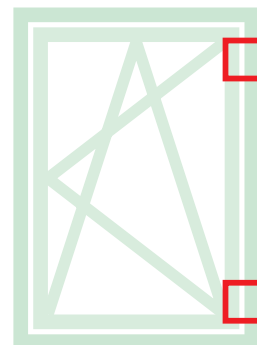
Hinge set (upper and lower), completely pre-assembled and ready to be installed on the profile.

**Materials**

Body of hinges in extruded aluminium, stainless steel and brass.

Supports in zamak with GS Silver Plus finish (up to 500 hr corrosion resistance).

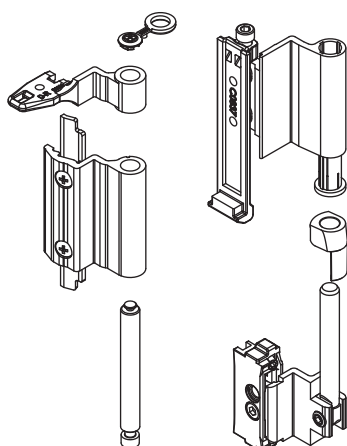
Pins, screws and grub screws in stainless steel.



Online data sheet



04718



Item code	Description	PROFILE CROSS - SECTION	Base Raw	Anodised Elox	Painted	Trend/Gold Brass	Pieces per pack
04718	HINGE T/T FUTURA 3D	C001-C013-C016	X		X	X	10