

# BURGLAR-PROOF FASTENING MECHANISM

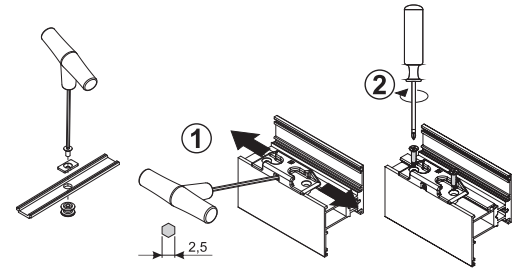
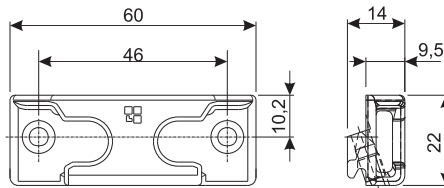
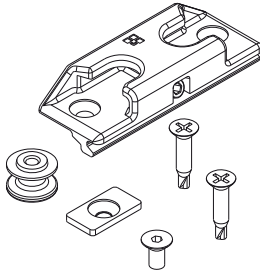
## Functions

Specially designed device to increase the resistance of the casement to break-in attempts, making intrusion through the window more difficult. Can be used on both sash and tilt-and-turn windows.

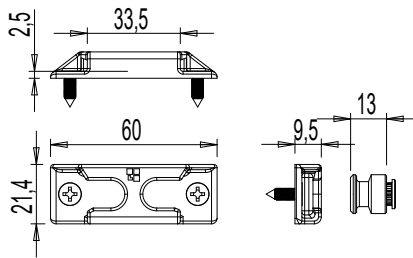
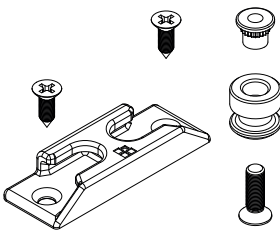
Online data sheet



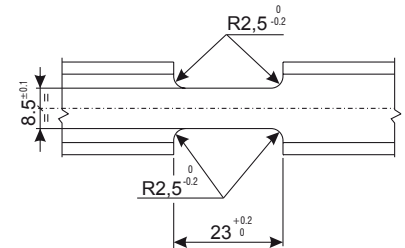
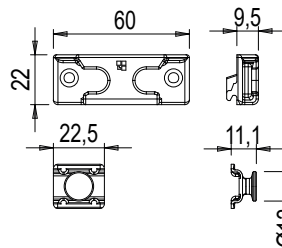
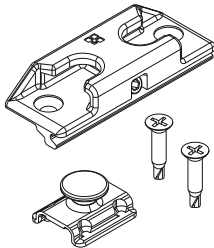
04031K



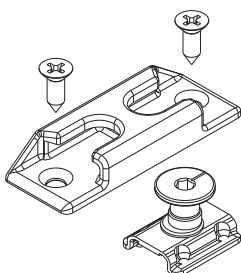
0404101



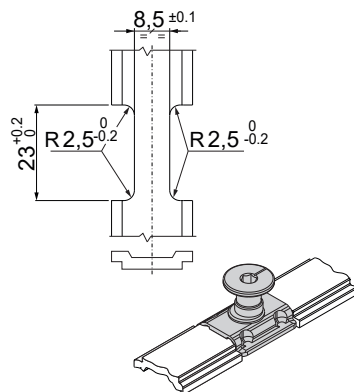
04046K



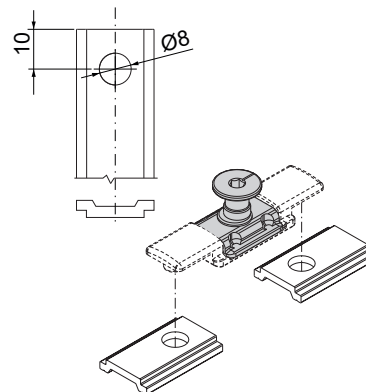
04134



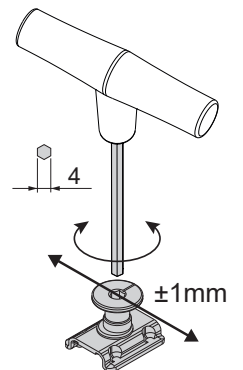
Coupling on machined rod



Snap-mounting component



Compression adjustment



Item code	Description	PROFILE CROSS - SECTION	Base Raw	Anodised Elox	Painted	Trend/Gold Brass	Pieces per pack
04031K	FUTURA BURGLAR-PROOF FASTENING MECHANISM	C001-C002-C003-C004-C005-C006-C011-C012-C013-C014-C015-C016-C017	X				20
0404101	BURGLAR-PROOF FASTENING MECHANISM	17 mm groove	X				20
04046K	BURGLAR-PROOF DEVICE	C001-C002-C003-C004-C005-C006-C011-C012-C013-C014-C015-C016-C017	X				20
04134	ADJUSTABLE BURGLAR-PROOF FASTENING MECHANISM	17 mm groove	X				20