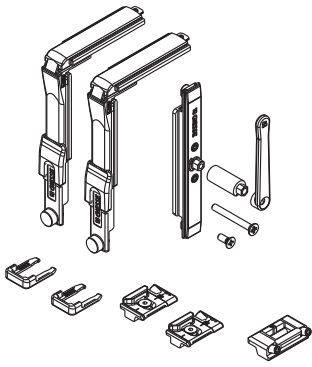


## PERIMETRAL CLOSING



### Functions

Provides perimeter locking of the secondary sash on the frame top and bottom cross beams.

It can be used both on double casement windows (additional profile) with double channel size 15/20 mm and inside the overlap, on the sash profile on which the overlap is fitted.

Online data sheet



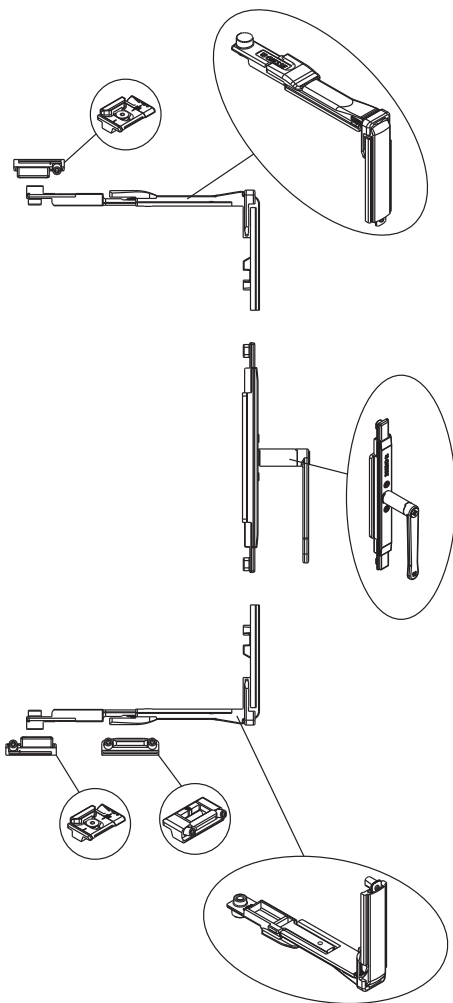
### Technical Features

The perimetral closing is composed of a two-way lever mechanism (which has an extension in case the hardware slides under the overlap profile), two Futura corner drives, two adjustable locking strikers and a raiser.

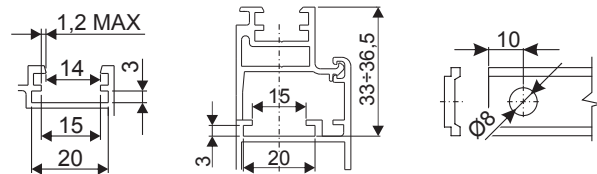
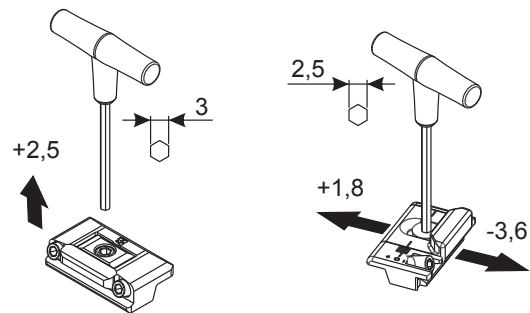
The mechanism is fixed with the contrast grub screws on the profile. This device enables fully closing the secondary sash, while also being able to increase the number of points by adding closing pawls and their strikers onto the polyamide rod that joins with the corner drives.

### Materials

Corner drive, closing striker, mechanism, extension and lever in GS Silver Plus zamak  
Sash-raiser striker made of polyamide  
Screws and grub screws in steel



### Adjustments



Item code	Description	Groove (mm)	Adjustment (mm)	Base Raw	Anodised Elox	Painted	Trend/Gold Brass	Pieces per pack
02179	PERIMETRAL TWO-WAY FASTENING MECHANISM	15 ÷ 20	+ 1.8 / - 3.6	X				10