

## PERIMETRAL FASTENING MECHANISM FOR FUTURA SECONDARY SASH

### Functions

Provides perimeter locking of the secondary sash on the frame top and bottom cross beams. For use on secondary sashes (additional profiles) with double channel of dimensions 15 to 20 mm.

Online data sheet

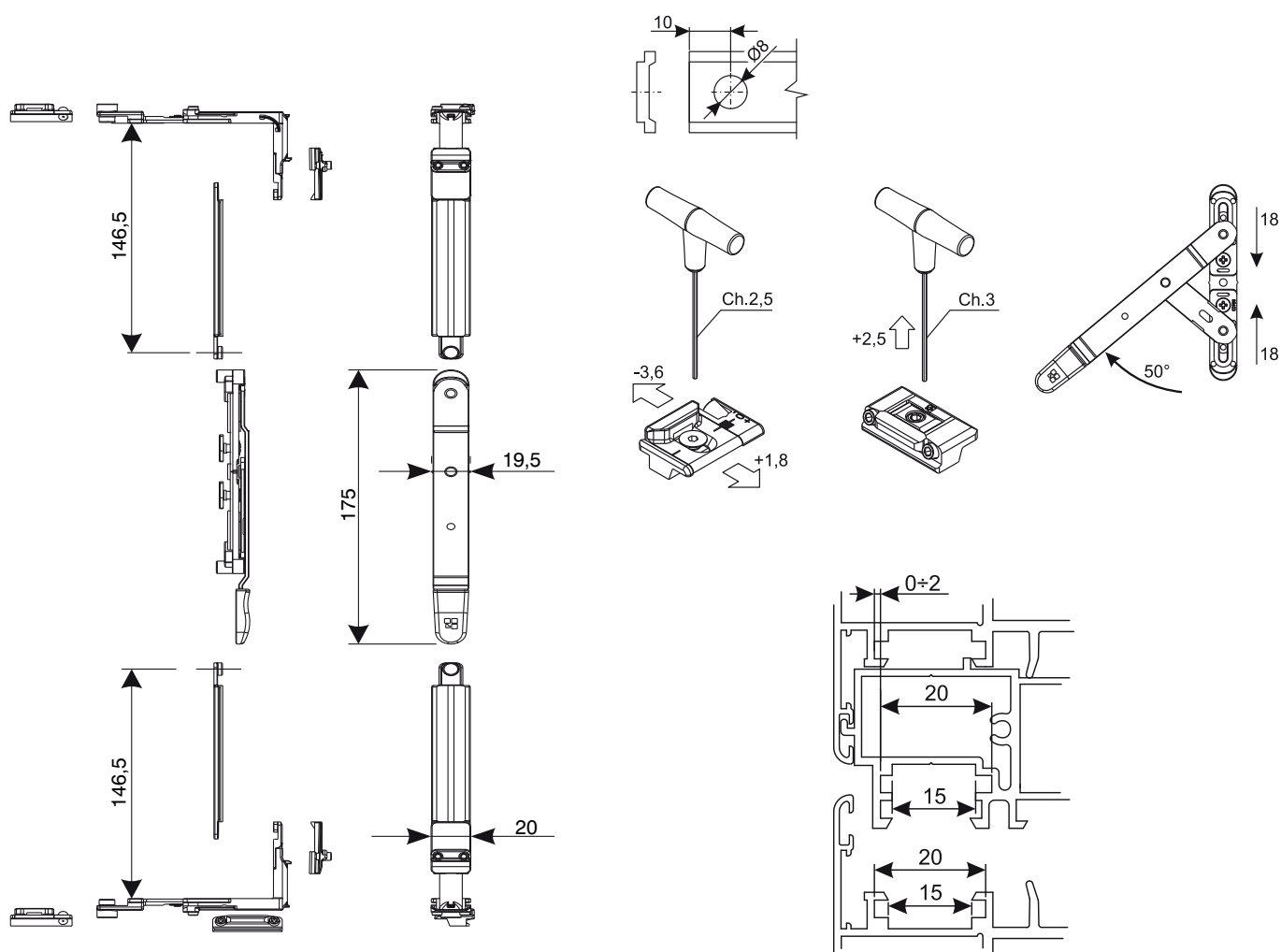


### Technical Features

The perimetral closing for secondary sash consists of a two-way lever mechanism, two corner bolts and respective strikers. This product enables total fastening of the secondary sash with the creation of several locking points (two standard with the possibility of creating as many as necessary, adding pawls on the connection rod and locking strikers on the frame) on the frame cross beams.

### Materials

Connection rods, corner drive and closing striker made of zamak  
 Mechanism body made of zamak  
 Mechanism lever and connecting bracket in steel  
 Cover for lever and lifter striker made of polyamide  
 Screws and grub screws in steel



Item code	Description	Note	Base Raw	Anodised Elox	Painted	Trend/Gold Brass	Pieces per pack
02186K	PERIMETRAL FASTENING MECHANISM FOR FUTURA SECONDARY SASH	silver plus	X				10