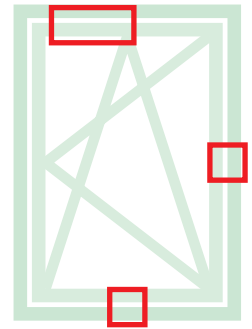


FLUSH FUTURA 3D 80 ADDITIONAL FASTENING MECHANISMS AND ACCESSORIES

Functions

The additional fasteners make it possible to add further fastening elements that either increase the dimensions of the casement or that can be used when locking points are needed on the cross beams or hinge-side upright.

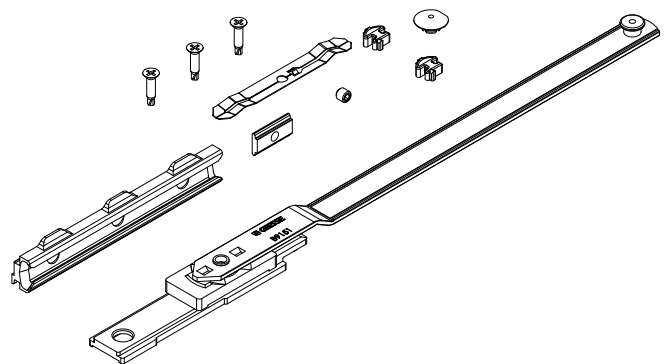
On the basis of the dimensions of the casement, additional fasteners (for H>1200 mm and W>1000 mm) and the additional arm (which is mandatory for W>1000 mm) are to be used in combination with this mechanism



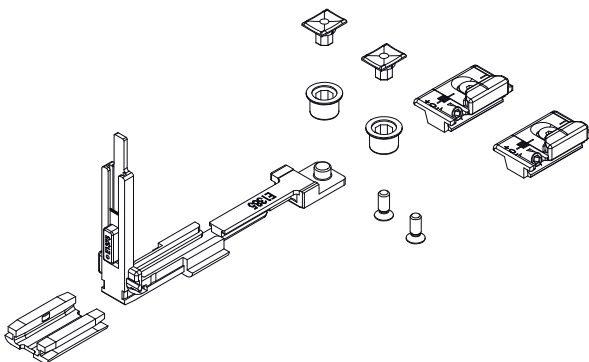
Online data sheet



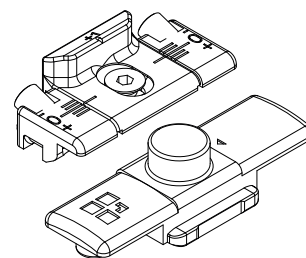
04301K



04770K



04777K



Item code	Description	Interface type	Range (mm)	Version	Base Raw	Anodised Elox	Painted	Trend/Gold Brass	Pieces per pack
04301K	T/T FUTURA ADDITIONAL ARM	C001-C002-C003-C005-C006-C011-C013-C014-C015-C016-C017	W > 1000	-	X				5
04770K	FUTURA ADDITIONAL FASTENING MECHANISM	C001-C002-C003-C005-C006-C013-C014-C015-C016-C017	H > 1200 L > 1000	-	X				10
04777K	FUTURA ADDITIONAL FASTENING MECHANISM	C001-C002-C003-C005-C006-C011-C013-C014-C015-C016-C017	H > 1200 L > 1000	Logica	X				50