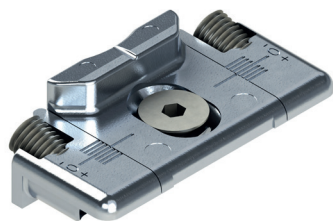


SECURITY SASH ADDITIONAL FASTENING MECHANISMS



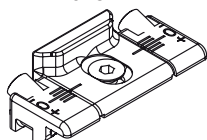
Functions

On the basis of the dimensions of the casement, the additional fastening mechanisms are to be used in conjunction with the Security Sash or Futura HP Bottom-Hung Windows mechanisms.

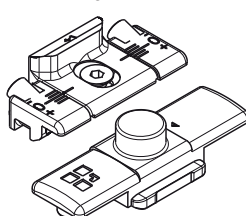
Online data sheet



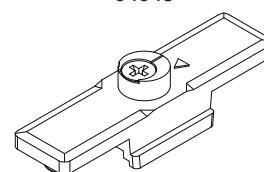
01347K



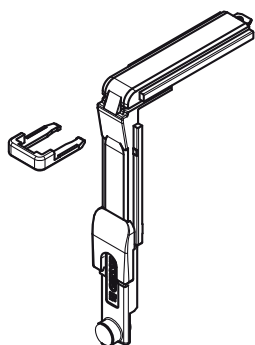
04777K



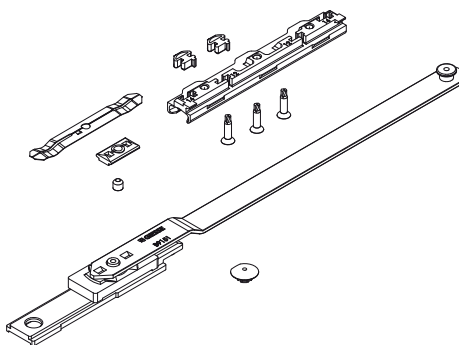
04048



04019K



04301K



Item code	Description	PROFILE CROSS - SECTION	L (mm)	H (mm)	Base Raw	Anodised Elox	Painted	Trend/Gold Brass	Pieces per pack
01347K	CLOSING STRIKER	C001-C002-C003-C004-C005-C012	-	1201 ÷ 2500	X				200
04019K	CORNER DRIVE FOR 01174K	C001-C002-C003-C005-C006-C013-C014-C015-C016-C017	1001 ÷ 1500	-	X				10
04301K	ADDITIONAL ARM FOR 01174K	C001-C002-C003-C005-C006-C011-C013-C014-C015-C016-C017	-	1201 ÷ 2500	X				5
04777K	HORIZONTAL ADDITIONAL FASTENING MECHANISM FOR 01175K	C001-C002-C003-C005-C006-C011-C013-C014-C015-C016-C017	751 ÷ 1500	-	X				50
04048	FIXED CONNECTION JOINT MX-MX	C007	-	1201 ÷ 2500	X				100