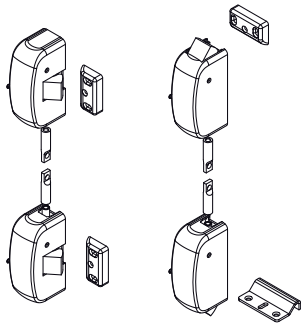


ADDITIONAL LOCKING MECHANISMS AP002



Functions

The rod and spring latches kit is used to create additional locking points on the door.

Online data sheet



Technical Features

The kit of rods and spring latches for making additional lock points on the door is available in two versions:

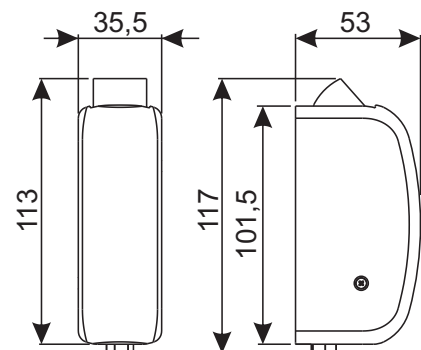
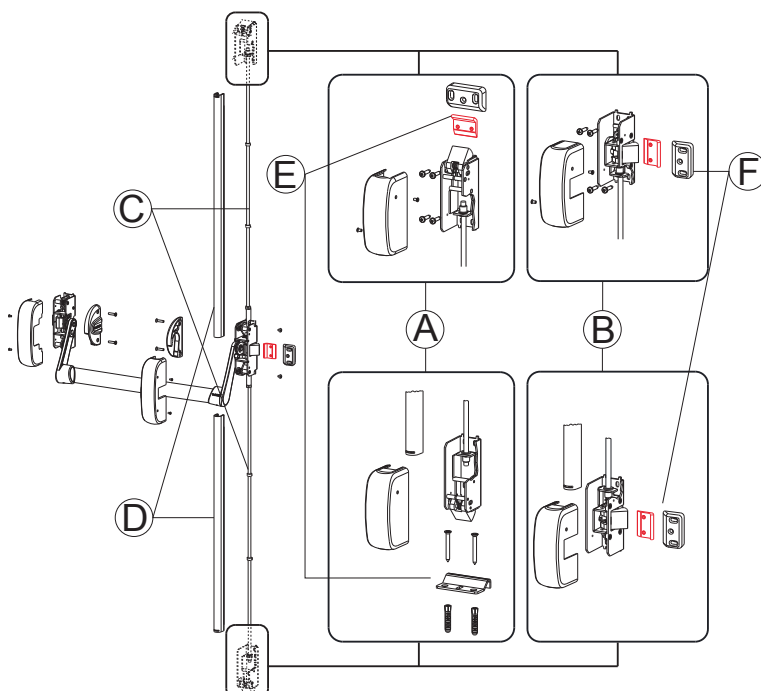
- top/bottom for standard doors and fire doors, in a short version and long version. Ideal for one-sash doors that you want to close with greater security than with the lateral system or for the secondary sash of a two-sash door
- side for standard doors and fire doors, in a short version and long version. Ideal for single leaf doors where you do not include floor striker plates or for tall doors where it is difficult to make the top lock point.

The kits consist of:

- the spring latches for top/bottom (A) or lateral (B) fastening mechanisms
- the threaded rods (C)
- the rod covering (D)
- the floor striker and the upper striker with their shims for the top/bottom version (E)
- the strikers with their shims for the side version (F)
- fixing components (screws, bushings, washers)

Materials

- Mechanisms in zinc plated steel
- Painted steel mechanism protection plug
- Spring latch in stainless steel
- Threaded rods in zinc plated steel
- Painted steel rod casing
- Screws and fixing elements in zinc plated steel
- Top/side striker in zamak and polyamide shims



PANIC EXIT DEVICE AP002

Item code	Description	Locking mechanism type	Version	Sash height [mm]	Strikers provided	Base Raw	Anodised Elox	Painted	Trend/Gold Brass	Pieces per pack
07315	FIRE-RATED ADDITIONAL LOCKING MECHANISMS	TOP/BOTTOM (2 LOCKING POINTS)	SHORT	up to 2640 mm	upper and floor in stainless steel			X		1
07316	FIRE-RATED ADDITIONAL LOCKING MECHANISMS	TOP/BOTTOM (2 LOCKING POINTS)	LONG	from 2641 mm to 3150 mm	upper and floor in stainless steel			X		1
07317	FIRE-RATED ADDITIONAL LOCKING MECHANISMS	LATERAL	SHORT	up to 2640 mm	side elements in stainless steel			X		1
07318	FIRE-RATED ADDITIONAL LOCKING MECHANISMS	LATERAL	LONG	from 2641 mm to 3150 mm	side elements in stainless steel			X		1
07835N	ADDITIONAL FASTENING MECHANISMS	TOP/BOTTOM (2 LOCKING POINTS)	SHORT	up to 2640 mm	upper in zamak and floor in stainless steel			X		1
07836N	ADDITIONAL FASTENING MECHANISMS	TOP/BOTTOM (2 LOCKING POINTS)	LONG	from 2641 mm to 3150 mm	upper in zamak and floor in stainless steel			X		1
07837N	ADDITIONAL FASTENING MECHANISMS	LATERAL	SHORT	up to 2640 mm	side elements in zamak			X		1
07838N	ADDITIONAL FASTENING MECHANISMS	LATERAL	LONG	from 2641 mm to 3150 mm	side elements in zamak			X		1