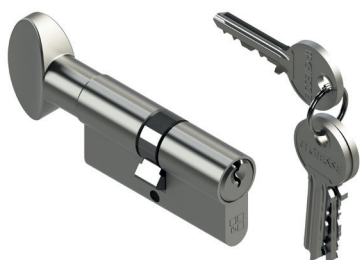


EUROPEAN PROFILE CYLINDER WITH KNOB



Functions

European profile cylinder with knob.

Online data sheet

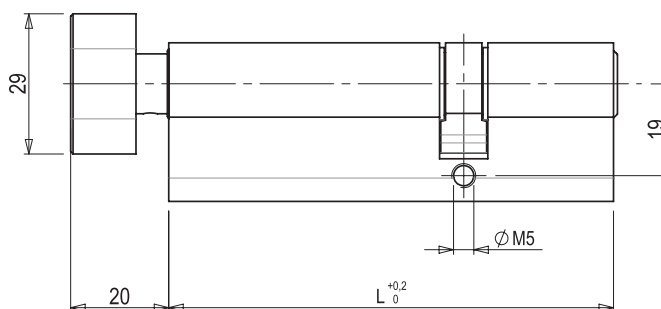
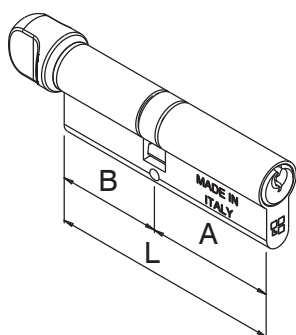


Technical Features

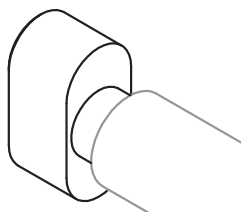
European profile cylinder with knob with 5-pin coding system.
 Projecting DIN cam.
 Stack 0.5 mm.
 The product is supplied with a set of 3 keys in a ring and countersunk flat head fixing screw.

Materials

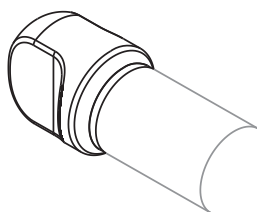
Cylinder body in nickel-plated brass
 Nickel-plated brass cylinder
 DIN cam in sintered steel
 Pins and counter-pins in brass
 Springs in stainless steel
 Nickel-plated brass key
 Nickel-plated brass knob
 Zinc plated steel fixing screw



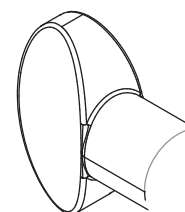
Knob type 1



Knob type 2



Knob type 3



DOOR CYLINDERS

Item code	Description	L [mm]	A [mm]	B (knob side) [mm]	Knob type	Base Raw	Anodised Elox	Painted	Trend/Gold Brass	Pieces per pack
04462N	European profile cylinder with knob 40/30	70	40	30	1	X				10
04463N	European profile cylinder with knob 35/35	70	35	35	1	X				10
04464N	European profile cylinder with knob 30/40	70	30	40	1	X				10
04465N	European profile cylinder with knob 50/30	80	50	30	1	X				10
04466N	European profile cylinder with knob 40/40	80	40	40	1	X				10
04467N	European profile cylinder with knob 60/30	90	60	30	1	X				8
04607N	European profile cylinder with knob 30/30	60	30	30	1	X				10
04633	European profile cylinder with knob 51/41	92	51	41	2	X				10
04634	European profile cylinder with knob 30/30	62	31	31	2	X				10
04636	European profile cylinder with knob 30/30	92	31	61	2	X				10
04647	European profile cylinder with knob 30/30	92	61	31	3	X				10
04665N	European profile cylinder with knob 30/60	90	30	60	1	X				8
05979	European profile cylinder with knob 45/30	75	45	30	1	X				10
05980	European profile cylinder with knob 30/45	75	30	45	1	X				10
05981	European profile cylinder with knob 30/50	80	30	50	1	X				10
05982	European profile cylinder with knob 55/30	85	55	30	1	X				10
05983	European profile cylinder with knob 30/55	85	30	55	1	X				10
05984	European profile cylinder with knob 35/60	95	35	60	1	X				10
05985	European profile cylinder with knob 70/30	100	70	30	1	X				10
05986	European profile cylinder with knob 65/45	110	65	45	1	X				10
05987	European profile cylinder with knob 30/65	95	30	65	1	X				10
05989	European profile cylinder with knob 65/30	95	65	30	1	X				10
05993	European profile cylinder with knob 30/70	100	30	70	1	X				10
05997	European profile cylinder with knob 30/75	100	30	75	1	X				10
05998	European profile cylinder with knob 75/30	100	75	30	1	X				10
07678	European profile cylinder with knob 30/30	122	31	91	2	X				10
07679	European profile cylinder with knob 30/30	122	91	31	2	X				10