



## EXTERNAL CONTROLS

### Functions

The external control common to all GS AP001 and GS AP002 panic bars, enables the operating handle to be locked in position by way of the cylinder, thus preventing the door being opened from outside.

Online data sheet

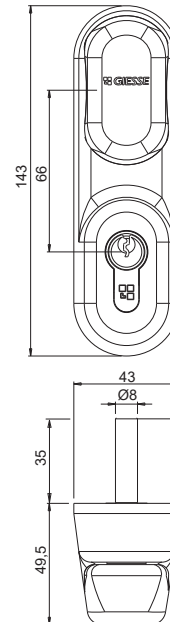
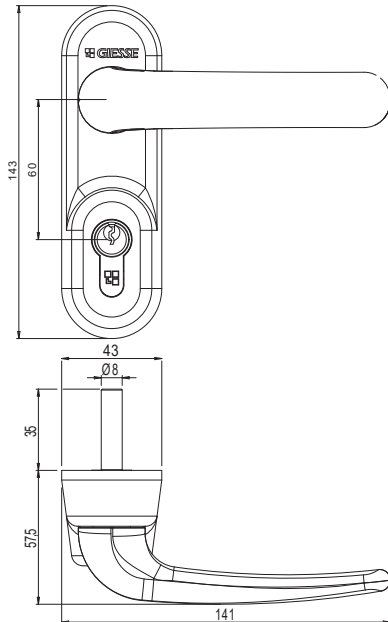


### Technical Features

External handle to be fitted on the upright or centre rail of the door in conjunction with the panic exit devices AP001 and AP002.  
Available in versions with a handle and with a knob, with an integrated half cylinder 31/10 or without a cylinder.

### Materials

Handle in aluminium/knob in zamak  
Zamak casing  
Shimming plate in zinc plated steel  
Square pin 8x120 and fixing screws in zinc plated steel  
Cylinder and key made of nickel-plated brass



Item code	Description	Square spindle [mm]	Base Raw	Anodised Elox	Painted	Trend/Gold Brass	Pieces per pack
0732201	EXTERNAL CONTROL WITH FREE KNOB	8x120			X		1
07324	EXTERNAL CONTROL WITH FREE HANDLE	8x120			X		1