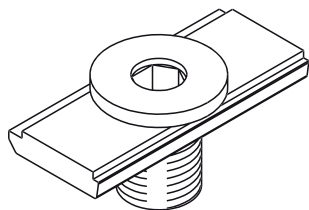


FIXING ADAPTER



Functions

Movable rule to compensate for the tolerances between the iron counter-frame and the aluminium frame to be inserted in the frame on the outer side.

Online data sheet

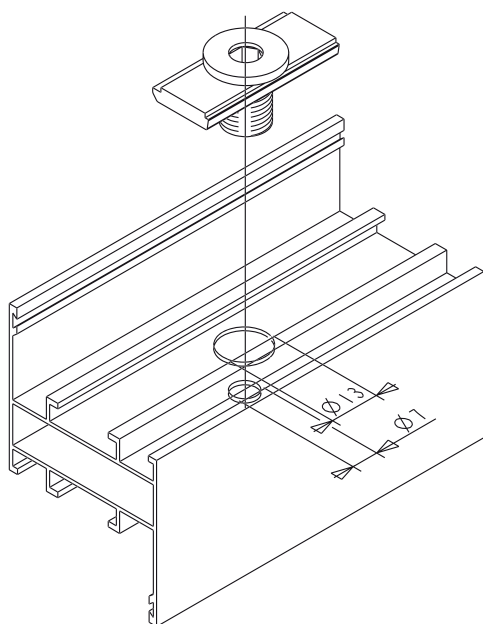


Technical features

Once the casement has been set in the specific compartment, take the pull screws to rest on the iron counter-frame and correctly position the casement. To do this, use an Allen wrench CH6.

Materials

Extruded aluminium base
Pull screw in black polyamide.



Item code	Description	Note	Base Raw	Anodised Elox	Painted	Trend/Gold Brass	Pieces per pack
02319	FIXING ADAPTER		X				100