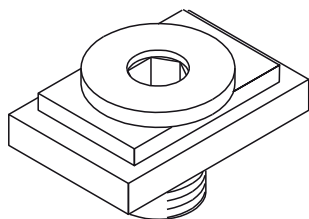


## FIXING ADAPTER



## Functions

Movable rule to compensate for the tolerances between the iron counter-frame and the aluminium frame to be inserted in the frame on the outer side.

Online data sheet

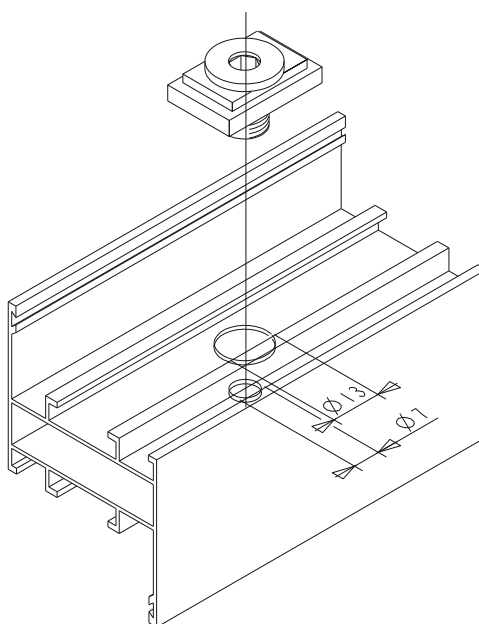


## Technical features

Once the casement has been set in the specific compartment, take the pull screws to rest on the iron counter-frame and correctly position the casement. To do this, use an Allen wrench CH6.

## Materials

Zinc plated zamak plate  
Black polyamide screw



| Item code | Description    | Note | Base Raw | Anodised Elox | Painted | Trend/Gold Brass | Pieces per pack |
|-----------|----------------|------|----------|---------------|---------|------------------|-----------------|
| 02365     | FIXING ADAPTER |      | X        |               |         |                  | 200             |