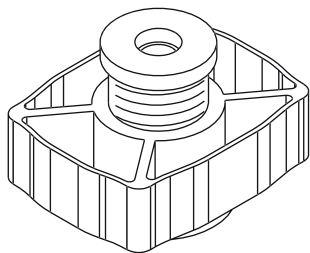


## MINCIO FIXING ADAPTER



### Functions

Movable rule to compensate for the tolerances between the iron counter-frame and the aluminium frame to be inserted in the frame on the outer side.

Online data sheet



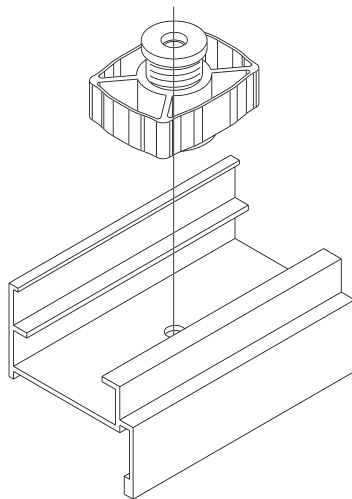
### Technical features

Specific for sections 40x18/20, 50x20 and 50x25.

Once the casement has been set in the specific compartment, take the pull screws to rest on the iron counter-frame and correctly position the casement. To do this, use an Allen wrench CH6.

### Materials

Body and screw in black polyamide.



Item code	Description	Note	Base Raw	Anodised Elox	Painted	Trend/Gold Brass	Pieces per pack
02326	MINCIO FIXING ADAPTER	screw 40x18/20 mm - mm 50x20/25	X				100