

SKATTO FIXING ADAPTER



Functions

The SKATTO adjustable compensator is the smartest solution for fixing between the aluminium counter-frame and the masonry work, compensating for the existing tolerances between the two items.

Online data sheet

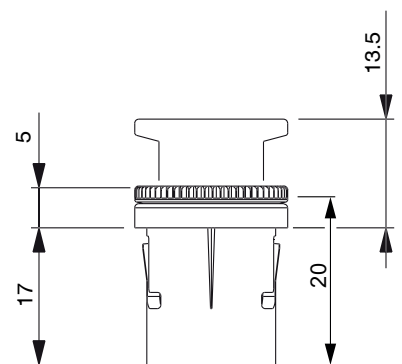
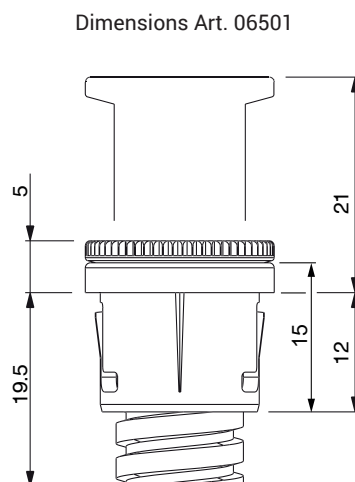
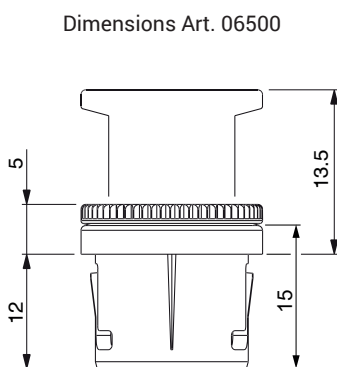
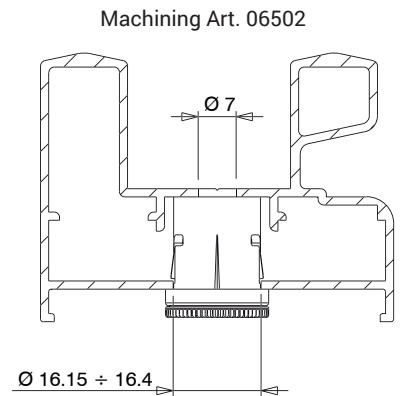
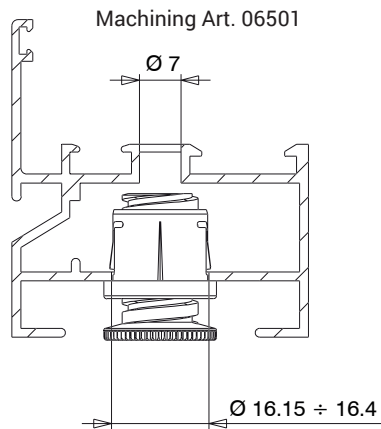
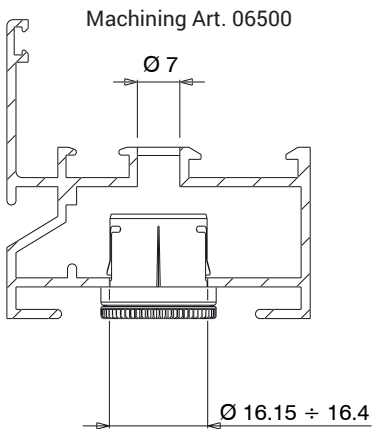


Technical features

SKATTO is quick to install and easy to adjust.

Materials

Housing in Zamak
Adjustment screw in polyamide reinforced with fibreglass.



Item code	Description	Length of screw (mm)	Height of the housing (mm)	Base raw	Anodised Elox	Painted	Trend/Gold Brass	Pieces per pack
06500	SKATTO FIXING ADAPTER	17,2	15	X				500
06501	SKATTO FIXING ADAPTER	24,7	15	X				500
06502	SKATTO FIXING ADAPTER	17,2	20	X				500