

## JALOUSIE COMPONENTS



### Functions

Operated by the Unica Cremona, the Jalousie components enable operating the hardware and opening and closing the slats.

Online data sheet



### Technical Features

The system must be connected with an aluminium rod for the European groove and is composed of:

#### 1 - Cam

Connected to the rod via the transmission pins it allows the slats to move. Made of punched aluminium.

#### 2 - Slat container (pair)

Sized to accommodate the swivel slat.

Blocks in black painted die-cast zamak and washers in black polyamide.

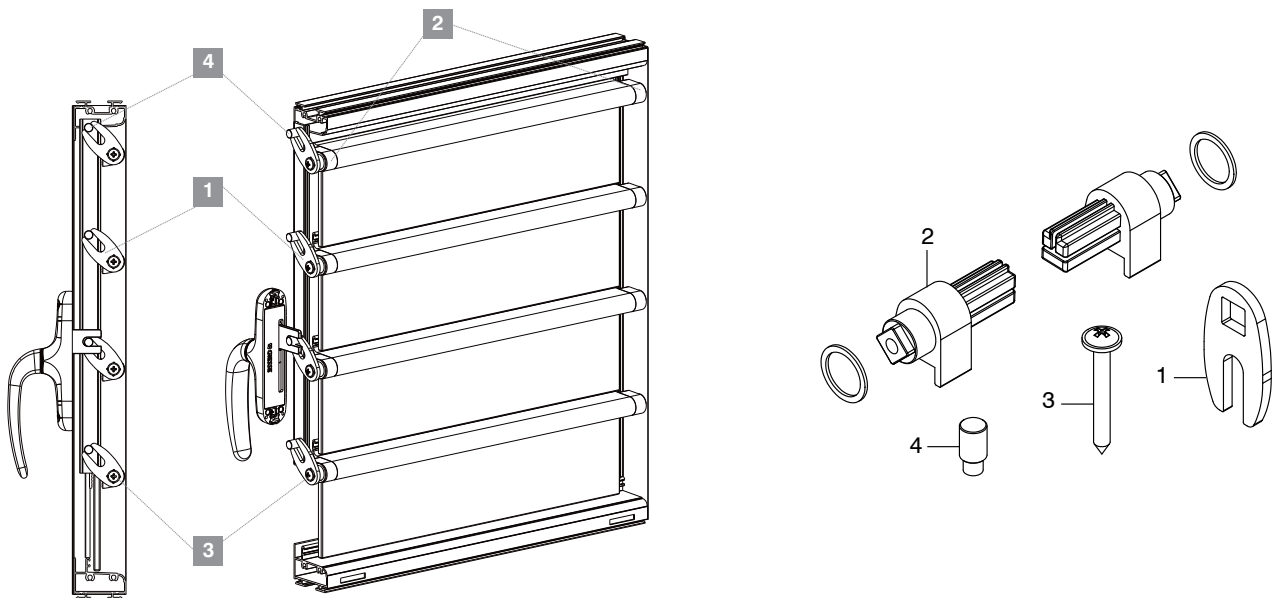
#### 3 - Slat-cam packing screw

Enables fixing together the cam and the slat container. Made of stainless steel.

#### 4 - Transmission pin

It transmits the movement from the cremone to the connection rod and to the cam.

Made of stainless steel.



Item code	Description	Note	Base Raw	Anodised Elox	Painted	Trend/Gold Brass	Pieces per pack
01984	CAM FOR JALOUSIE SYSTEM (1)		X				100
01985	SLAT CONTAINER (RIGHT AND LEFT) (2)	pair			X		100
01986	SLAT-CAM PACKING SCREW (3)		X				100
01988	DRIVE PIN (4)		X				100