

COUNTERPLATES



Functions

Counterplates to be combined with the central locks and multipoint locks per doors.

Online data sheet



Technical Features

Type 1 and 2

Adjustable stainless steel counterplates to be combined with the door locks. Front fixing in a channel with a cam system for coupling in the channel. Side adjustment ± 2 mm with the two adapters ready-assembled to the counterplate

Type 3, 4 and 5

Counterplates and set of flat counterplates to be combined with the single and multi-point locks.

Front fixing with self-tapping screws.

Side adjustment with slots.

Type 6 and 7

Counterplates and set of "U"-shaped counterplates to be combined with the single and multi-point locks.

Front fixing with self-tapping screws.

Side adjustment with slots.

Type 8

Shim under the front to be used on profile cross-sections with a large stack to improve the grip of the spring latch of the lock on the counterplate.

Type 9

Flat counterplate to be combined with the locks with dead bolt and latch.

Front fixing with self-tapping screws.

Materials

Type 1 and 2

Front plate, cams and screws for fixing to the profile made of stainless steel

Adapters for side adjustment made of zamak

Type 3, 4 and 5

Counterplates and screws for fixing to the profile made of stainless steel

Type 6 and 7

Counterplates and screws for fixing to the profile made of stainless steel

Polyamide concealer caps

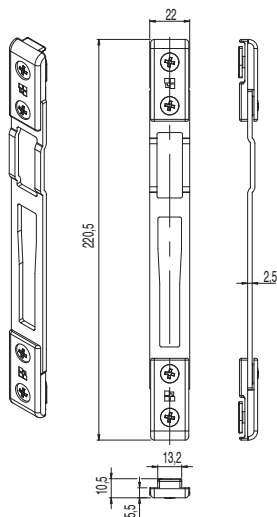
Type 8

Polyamide shim

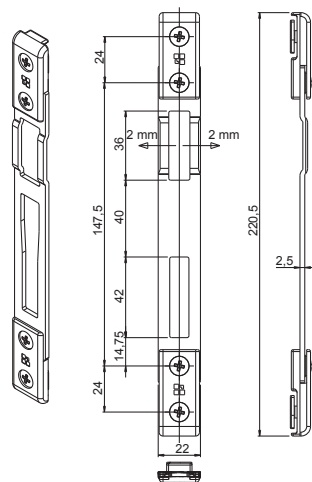
Type 9

Counterplates and screws for fixing to the profile made of stainless steel

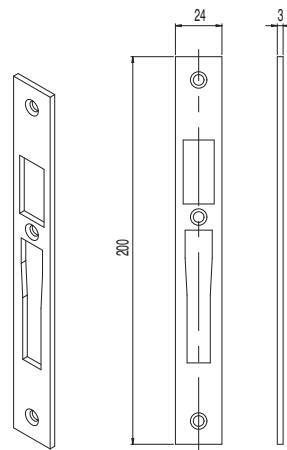
Counterplate Type 1



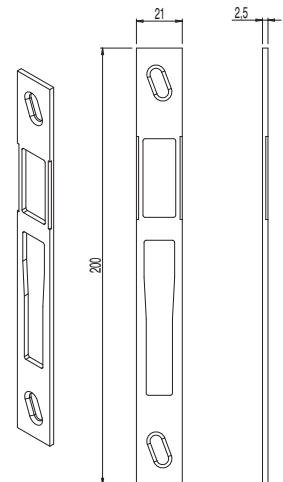
Counterplate Type 2



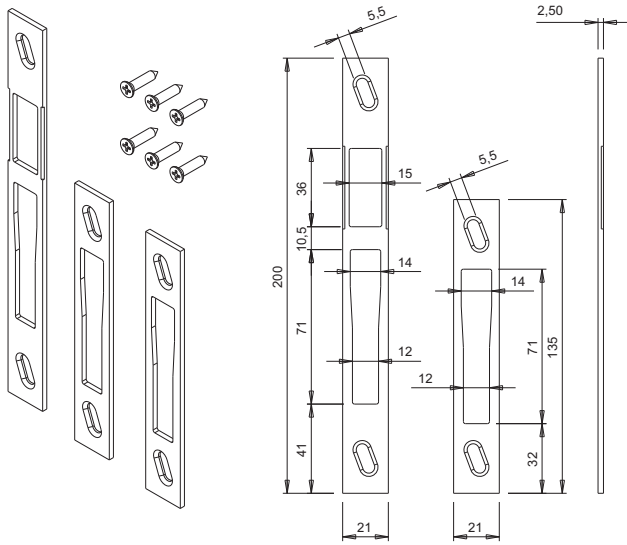
Counterplate Type 3



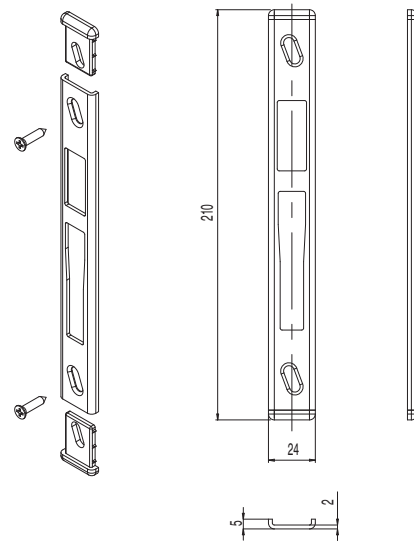
Counterplate Type 4



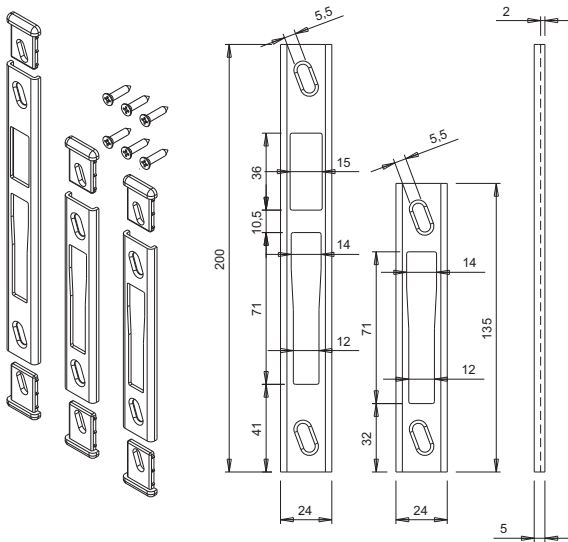
Counterplate Type 5



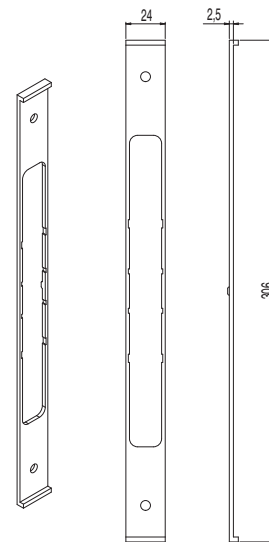
Counterplate Type 6



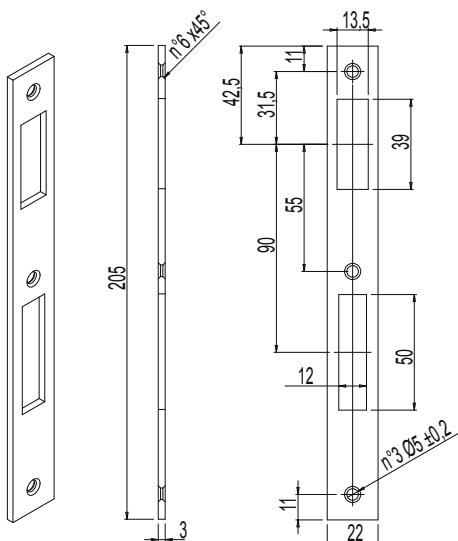
Counterplate Type 7



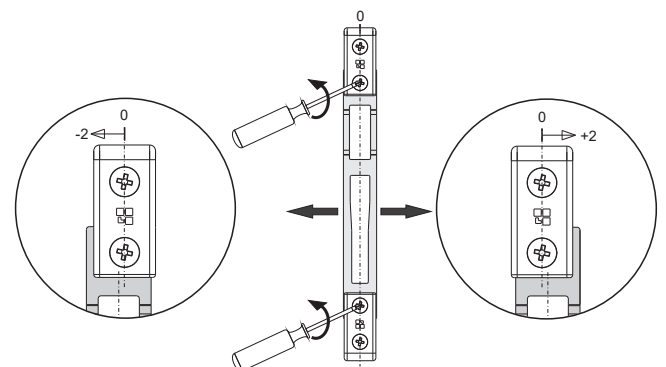
Counterplate Type 8



Counterplate Type 9



Adjustments



DOOR LOCKS

Item code	Descriptions	Note	Adjustment	Width [mm]	PROFILE CROSS - SECTION	Can be combined with lock	Base Raw	Anodised Elox	Painted	Trend/Gold Brass	Pieces per pack
04630	COUNTERPLATE FOR DOOR LOCKS	Type 1	± 2 mm	22	C001-C002- C004-C011- C012-C013-C014- C015-C016-C017	0462701 - 0462801 - 0461301 - 0461401 - 0461501 - 0461616 - 04617 - 04618 - 0461901 - 0462001 - 0462101 - 04622 - 04623 - 04624	X				5
04639	UNIVERSAL COUNTERPLATE	Type 3	-	24		0462701 - 0462801 - 0461301 - 0461401 - 0461501 - 0461616 - 04617 - 04618 - 0461901 - 0462001 - 0462101 - 04622 - 04623 - 04624	X				10
04655	COUNTERPLATE FOR LOCKS FOR PERIMETER LOCKING	Type 2	± 2 mm	22	C001-C016	04645 - 04646 - 04649 - 04650 - 04699	X				5
0465801	FLAT COUNTERPLATE	Type 9	-	22		0763001 - 0763101 - 0763201	X				10
04859	COUNTERPLATE W/ FLAT FRONT	Type 4	± 1.5 mm	21	C001	0462701 - 0462801 - 0461301 - 0461401 - 0461501 - 0461616 - 04617 - 04618 - 0461901 - 0462001 - 0462101 - 04622 - 04623 - 04624	X				5
04860	COUNTERPLATE W/ U FRONT	Type 6	± 1.5 mm	24	C001	0462701 - 0462801 - 0461301 - 0461401 - 0461501 - 0461616 - 04617 - 04618 - 0461901 - 0462001 - 0462101 - 04622 - 04623 - 04624	X				5
04861	FLAT FRONT COUNTERPLATE KIT	Type 5	± 1.5 mm	21	C001	04850 - 04851 - 04852 - 04853 - 04854 - 04855	X				5
04862	U FRONT COUNTERPLATE KIT	Type 7	± 1.5 mm	24	C001	04850 - 04851 - 04852 - 04853 - 04854 - 04855	X				5
04863	SHIM UNDER FRONT	Type 8	-	-	C001	0461901 - 0462001 - 0462101	X				5