

## INSERTED COUNTERPLATES



### Functions

The counterplate to be inserted, combined with a nib for a recessed handle, creates the fastener of a sliding sash.

Online data sheet



### Technical Features

Inserted counterplates are to be inserted into the frame profile upright before assembly.

The counterplate is fixed to the frame by means of contrast grub screws. This type of counterplate has the advantage of being able to be height adjusted by simply loosening the grub screws and then repositioning them. They feature high tear strength as they are held by the profile.

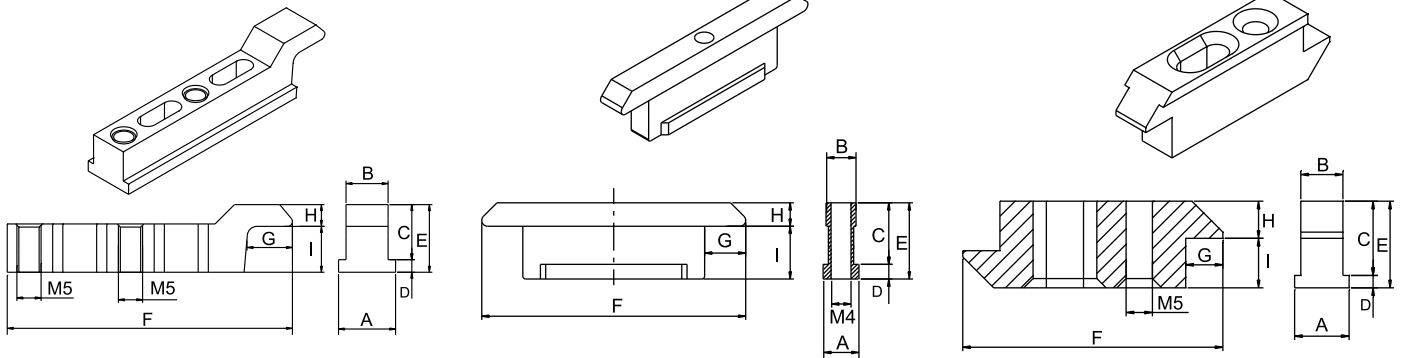
### Materials

Zamak body (GS Silver Plus/GS500)  
Stainless steel grub screws

Type 1

Type 2

Type 3



Item code	Description	Type	A	B	C	D	E	F	G	H	I	Compatible with Brio Small nib	Compatible with Brio Big nib	Compatible with Brio Zamak nib	Base Raw	Anodised Elox	Painted	Trend/Gold Brass	Pieces per pack
03326	INSERTED COUNTERPLATE	2	6	5	10,5	2,5	13	45	7	4	9	YES	YES	NO	X				100
0332701	INSERTED COUNTERPLATE	2	10	8	10,5	2,5	13	45	7	4	9	YES	YES	NO	X				100
0332801	INSERTED COUNTERPLATE	2	8	6	10,5	2,5	13	45	7	4	9	YES	YES	NO	X				100
03930	INSERTED COUNTERPLATE	3	10,5	8	11	3	14	42	6	4	10	YES	YES	NO	X				30
03947	INSERTED COUNTERPLATE	1	12,1	9,4	11,7	2,3	14	59	9,3	4,5	9,5	YES	YES	NO	X				30
03985	INSERTED COUNTERPLATE	1	8	7	11	3,5	14,5	37	5	4,5	10	YES	YES	NO	X				30
04683	INSERTED COUNTERPLATE	2	6	5	11	2	13	45	7	4	9	YES	YES	NO	X				100
04685	INSERTED COUNTERPLATE	1	11,8	8,7	11,4	2,6	14	59	9,3	4,5	9,5	YES	YES	NO	X				100
9003001	INSERTED COUNTERPLATE	3	10,5	8	11	3	14	42	6	4	10	YES	YES	NO	X				100
9003301	INSERTED COUNTERPLATE	3	10	9	11	2	13	33	5,5	5,5	7,5	YES		NO	X				100
9003601	INSERTED COUNTERPLATE	3	7,8	6,8	9	1,5	10,5	42	6	4	6,5	YES		NO	X				100
90039	INSERTED COUNTERPLATE	3	8,8	6,8	12	2	14	42	6	6	8	YES		NO	X				100
90040	INSERTED COUNTERPLATE	1	12,1	8,7	11,4	2,6	14	59	9,3	4,5	9,5	YES	YES	NO	X				100
90044N	INSERTED COUNTERPLATE	1	12,1	9,4	11,7	2,3	14	59	9,3	4,5	9,5	YES	YES	NO	X				100
90077	INSERTED COUNTERPLATE	3	17,5	14,3	11,2	3,3	14,5	45	6	5	9,5	YES	YES	NO	X				100
90079	INSERTED COUNTERPLATE	1	8	7	11	3,5	14,5	37	5	4,5	10	YES	YES	NO	X				100
9008001	INSERTED COUNTERPLATE	1	10	7	10,5	3,5	14	35	9,5	4,5	9,5	YES	YES	NO	X				100