

ASIA KEY CREMONE



Functions

Reversible cremone, with key lockable handle, with rotation through 90°, 135° (micro-ventilation version) and 180° and opening/closing positioning notch.

Online data sheet



Technical Features

The use of high quality die-cast materials and the GIESSE painting system guarantee excellent mechanical performance, together with colour uniformity and good abrasion resistance.

The cylinders of the ASIA KEY cremones have homogeneous coding, on request it is in any case possible to fulfill specific job orders with customized coding.

The cylinder of the ASIA KEY Logica and Microventilation Logica cremones has the Giesse Key Capture system.

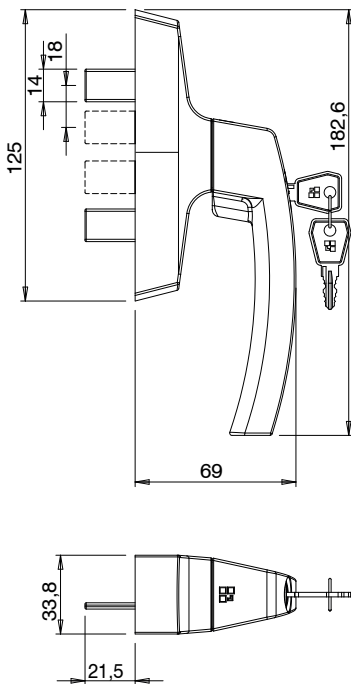
The cylinder, depending on the version, allows locking the handle of the cremone to 90°, 135° and 180°. When the handle is at 90° or 135° it is possible to remove the key and then leave the sash in the tilt-and-turn or micro-ventilation position, in safety.

When the pull handle is at 180°, and therefore the sash is in the fully open position, it is not possible to remove the key from the cylinder.

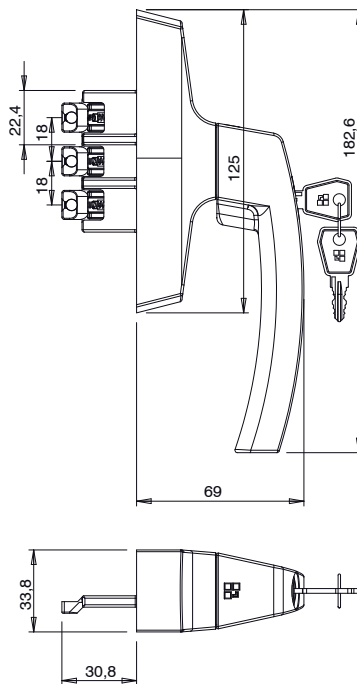
Materials

- Handle in die-cast aluminium
- Die-cast Zamak case, gears, racks and sliding parts
- Nickel-plated brass cylinder
- Hostaform plate
- Spring, screws and fixing plate in stainless steel

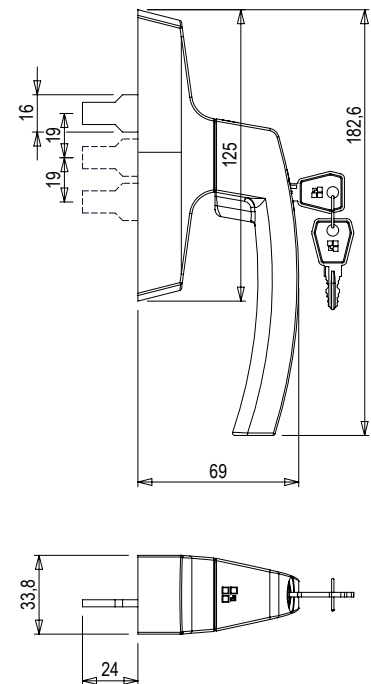
Overall dimensions art. 01065



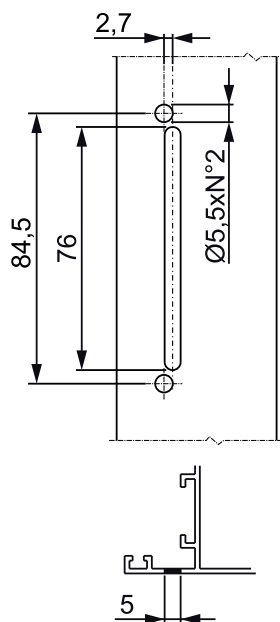
Overall dimensions art. 01085



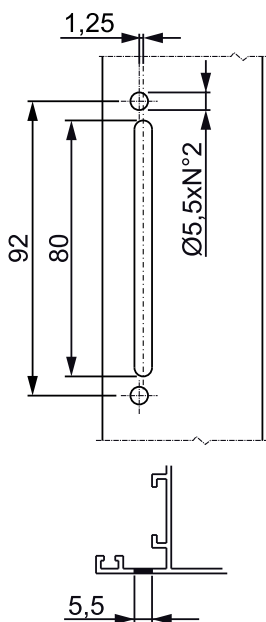
Overall dimensions art. 01196



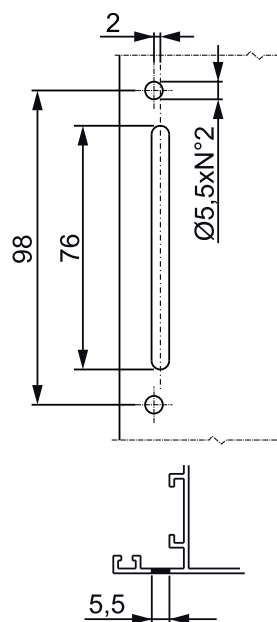
C/C distance machining 84.5 mm



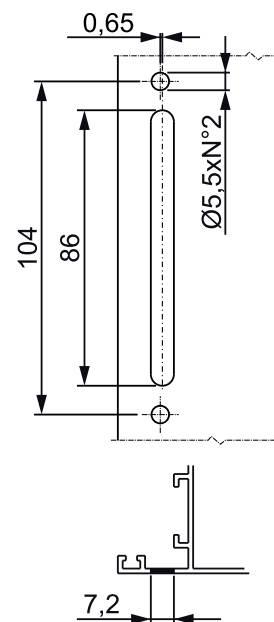
C/C distance machining 92 mm



C/C distance machining 98 mm



C/C distance machining 104 mm



Item code	Description	PROFILE CROSS-SECTION	Type	Version	C/C distances	Performance	Operation	Pull handle 0°	Pull handle 90°	Pull handle 135°	Pull handle 180°	Base Raw	Anodised Elox	Painted	Trend/Gold Brass	Pieces per pack
01065	ASIA KEY CREMONE	C001-C002-C003-C004-C005-C006-C007-C008-C009-C010-C012-C013-C014-C015-C016-C017-P001-P002-P004-P005-P006-P007-P008-P009-P010	Sash	-	104 - 98 - 92 - 84	> 100 N/m	two-way	closed	open	-	-	X		X		5
0108501	SKG ASIA KEY MICRO CREMONE	C001-C002-C003-C005-C006-C013-C014-C015-C016-C017	Tilt-and-turn window	Micro	104 - 98 - 92 - 84	> 100 N/m	one-way	closed	open	micro	bot-tom-hung windows	X		X	X	5
01086	ASIA KEY CAPTURE LGC CREMONE	C001-C002-C003-C004-C005-C006-C007-C012-C013-C014-C015-C016-C017	Tilt-and-turn window	Logica	104 - 92	> 100 N/m	one-way	closed	bot-tom-hung windows	-	open	X		X		5
01087	ASIA KEY CAPTURE MICRO CREMONE	C001	Tilt-and-turn window	Micro	104 - 92	> 100 N/m	one-way	closed	bot-tom-hung windows	micro	open	X		X		5
01196	ASIA KEY T/T MONOPINNA CREMONE	C001-C002-C003-C004-C005-C006-C007-C008-C009-C010-C012-C013-C014-C015-C016-C017-P001-P002-P004-P005-P006-P007-P008-P009-P010	Tilt-and-turn window	-	104 - 98 - 92 - 84	> 100 N/m	One-way	closed	open	-	bot-tom-hung windows	X		X		5