



ASIA PLUS OUTWARD 0-90° CREMONE

Functions

Reversible cremone for outward opening with space saving.

Online data sheet



Technical Features

The cremone is specific to one-way closing systems with handle positioning at 0° and 90°.

The use of high quality die-cast materials and the GIESSE painting system guarantee excellent mechanical performance, together with colour uniformity and good abrasion resistance.

The Asia Outward 0-90 cremone has a fixing C/C distance of 70 mm.

The cremone is to be matched with the outward opening casement kits and the drive rod devices.

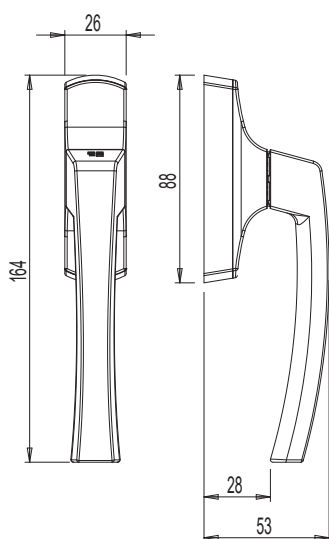
Materials

Handle in die-cast aluminium

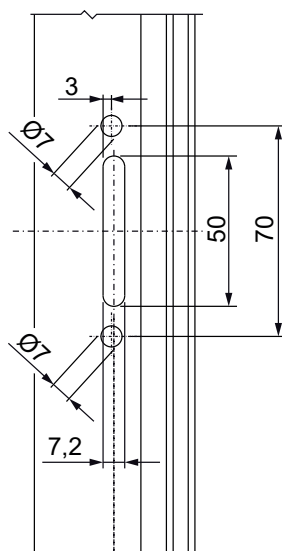
Case, case cover and rotor in zamak

Spring and screw of stainless steel

Dimensions art. 01401



C/C distance machining 70 mm



Item code	Description	Type	C/C distances	Operation	Pull handle 0°	Pull handle 90°	Base Raw	Anodised Elox	Painted	Trend/Gold Brass	Pieces per pack
01401	ASIA PLUS 0-90° OUTWARD OPENING CREMONE	Outward Opening	70	One-way	Closed	Open			X		10