



COUPE' CREMONE

Functions

Reversible cremone handle, with lowered handle and rotation of 120°, designed for outward opening and shutters that, because of the interior dimensions, require a mechanism with a particularly compact size.

Online data sheet

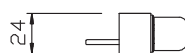
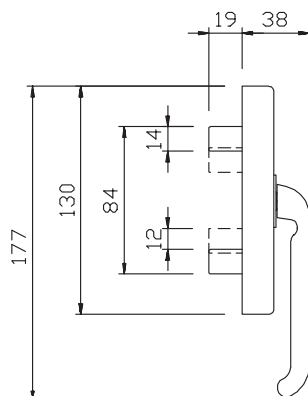
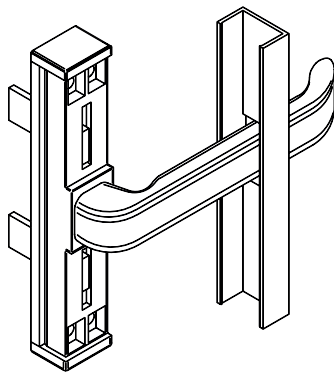


Technical Features

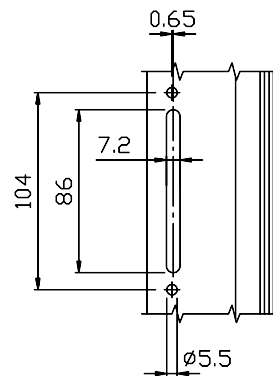
The COUPE' Cremone, supplied right-hand, revives the concept of unification by using the standard EURO 104 mm machining and the 108 mm machining. It is only 38 mm high, with a line that allows you to match it with the EURO, NOVA and SUPERNOVA Cremones.

Materials

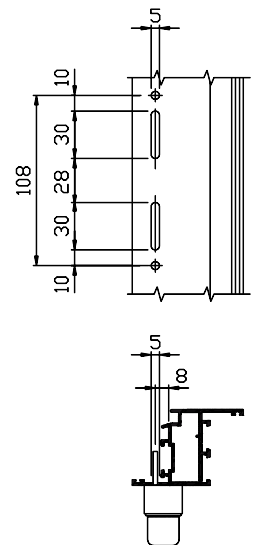
Handle in die-cast aluminium
Gears, racks and sliders in die-cast zamak.
Case and plate in reinforced polyamide.
Extruded aluminium body cover.



C/C distance machining 104 mm



C/C distance machining 108 mm



Item code	Description	Note	Base Raw	Anodised Elox	Painted	Trend/Gold Brass	Pieces per pack
01056	COUPE' CREMONE		X		X		20