



ESSEN CREMONE

Functions

Reversible cremone handle for operating the GIESSE Sash and Tilt-and-Turn Window mechanisms.

Online data sheet



Technical Features

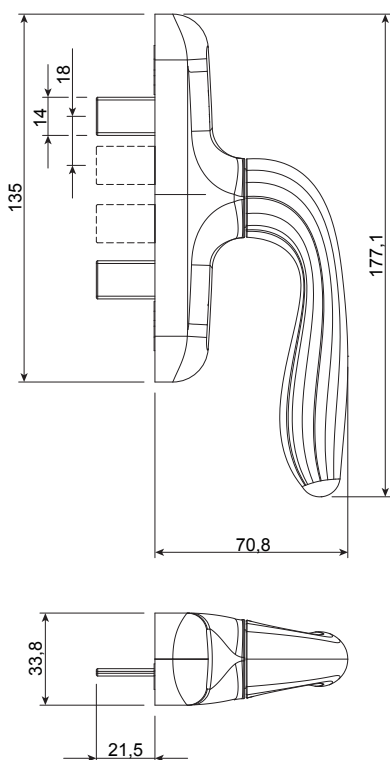
The use of high quality die-cast materials and the GIESSE painting system guarantee excellent mechanical performance, together with colour uniformity and good abrasion resistance.

The Essen cremone has a fixing C/C distance of 104 mm, but can be easily adapted for fixing with a C/C distance of 84 and 98 mm.

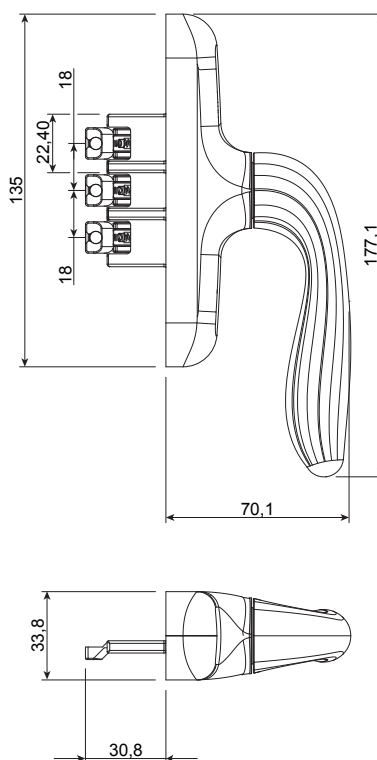
Materials

Handle in die-cast aluminium
 Cremone case, gear racks in die-cast zamak
 Internal sheath and Hostaform plate
 Steel spring
 Stainless steel screws and fixing plate

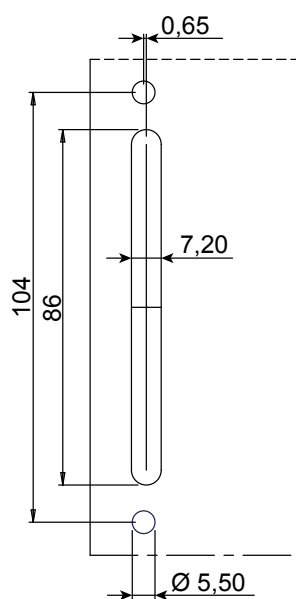
Overall dimensions of cremone for sash



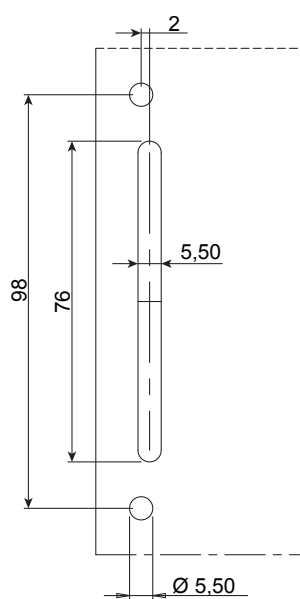
Overall dimensions of cremone for tilt-and-turn



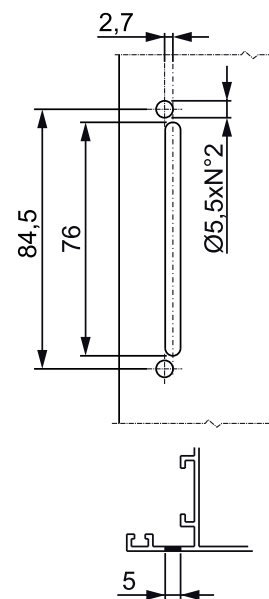
C/C distance machining 104 mm



C/C distance machining 98 mm



C/C distance machining 84.5 mm



Item code	Description	PROFILE CROSS - SECTION	Material	Type	C/C distances	Operation	Pull handle 0°	Pull handle 90°	Pull handle 135°	Pull handle 180°	Base Raw	Anodised	Elox	Painted	Trend/Gold Brass	Pieces per pack
06980	ESSEN CREMONE	C001-C002-C003-C004-C005-C006-C007-C008-C009-C010-C012-C013-C014-C015-C016-C017-P001-P002-P004-P005-P006-P007-P008-P009-P010		Sash	104 - 98 - 84	two-way	closed	open			X		X			20
06981	ESSEN CREMONE FOR TILT-AND-TURN	C001-C002-C003-C004-C005-C006-C007-C008-C009-C010-C012-C013-C014-C015-C016-C017		Tilt-and-turn window	104 - 98 - 84	one-way	closed	open		bot-tom-hung windows	X		X			5