



EURO CREMONE

Functions

Reversible cremone handle for operating GIESSE Sash, Tilt-and-Turn Window and Tilt-and-Turn Window with Microventilation mechanisms.

Online data sheet



Technical Features

The use of high quality die-cast materials and the GIESSE painting system guarantee excellent mechanical performance, together with colour uniformity and good abrasion resistance.

Depending on the version, they are available with snap positioning of the pull handle at 0°, 90°, 135° and 180°.

The EURO cremone is supplied pre-assembled right-handed.

Available in both one-way and two-way versions.

Depending on the version, the C/C distances of 84, 92, 96, 98, 104 and 130 mm are possible.

Materials

Handle in die-cast aluminium

Cremone case, gear racks in die-cast zamak

Internal sheath and Hostaform plate

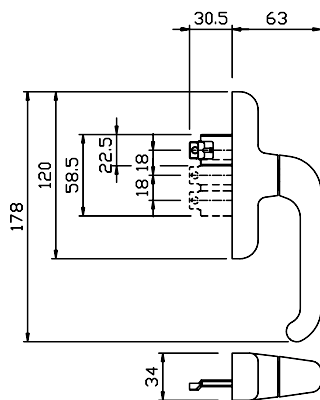
Spring, screws and fixing plate in stainless steel

Parts

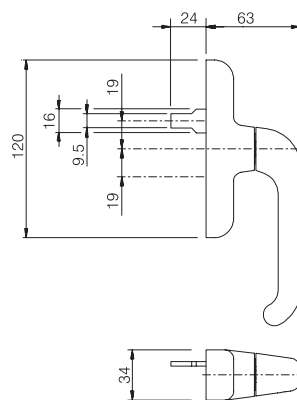
1 fixing plate

2 HSHC screws M5x14

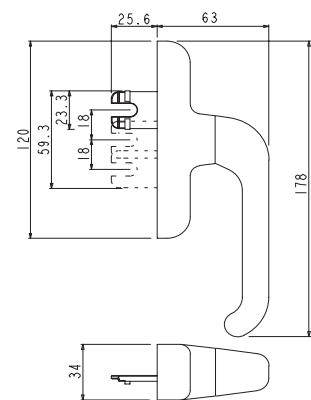
A. One-way version



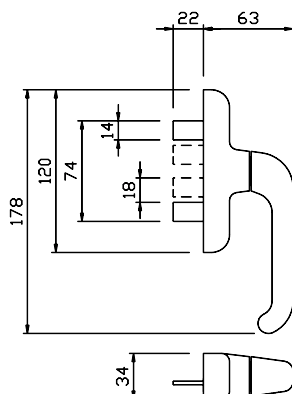
B. One-way version



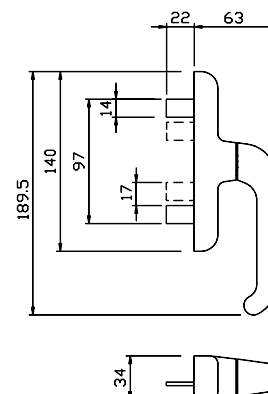
C. One-way version



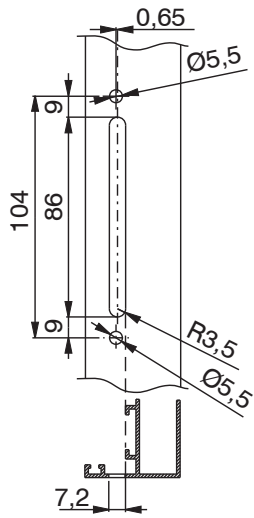
D. Two-way version (C/C distance 84.5 - 98 - 104 mm)



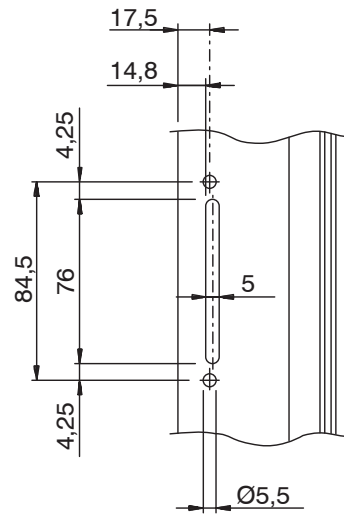
E. Two-way version (C/C distance 130 mm)



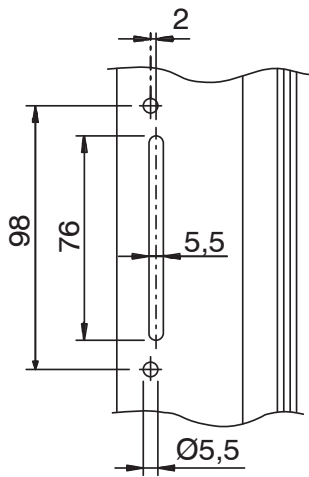
C/C distance machining 104 mm



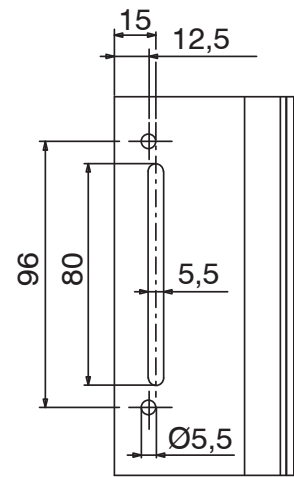
C/C distance machining 84.5 mm



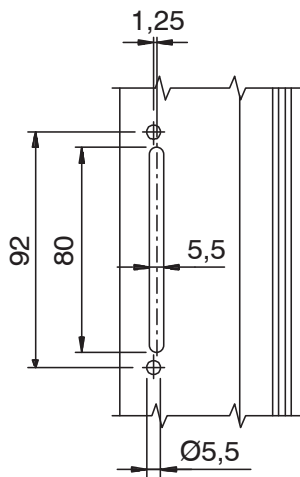
C/C distance machining 98 mm



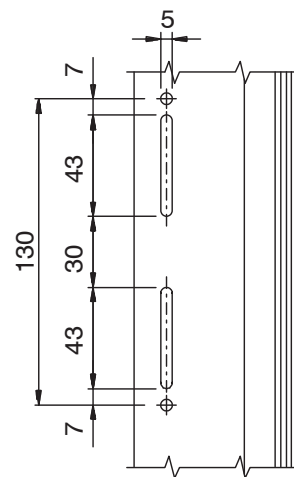
C/C distance machining 96 mm



C/C distance machining 92 mm



C/C distance machining 130 mm



Item code	Description	PROFILE CROSS - SECTION	Type	C/C distances	Operation	Figure	Pull handle 0°	Pull handle 90°	Pull handle 135°	Pull handle 180°	Base Raw	Anodised Elox	Painted	Trend/Gold Brass	Pieces per pack
01000U	EURO CREMONE	C001-C002-C003-C004-C005-C006-C007-C008-C009-C010-C012-C013-C014-C015-C016-C017-P001-P002-P004-P005-P006-P007-P008-P009-P010	Sash	104 - 98 - 84	Two-way	D	Closed	open	-	-	X		X	X	10
01008	EURO CREMONE	C001-C002-C003-C004-C005-C006-C007-C008-C009-C010-C012-C013-C014-C015-C016-C017-P001-P002-P004-P005-P006-P007-P008-P009-P010	Sash	130	Two-way	E	Closed	open	-	-	X		X		20
01094	EURO 900 MICRO CREMONE	C001-C002-C003-C004-C005-C006-C012-C013-C014-C015-C016-C017	Tilt-and-turn window (microventilation)	104 - 98 - 84	One-way	A	Closed	open	Micro	bot-tom-hung windows	X		X		10
01108	EURO 900 CREMONE	C001-C002-C003-C004-C005-C006-C007-C008-C009-C010-C012-C013-C014-C015-C016-C017	Tilt-and-turn window	98	One-way	B	Closed	open	-	bot-tom-hung windows	X		X		20
01109	EURO 900 CREMONE	C001-C002-C003-C004-C005-C006-C007-C008-C009-C010-C012-C013-C014-C015-C016-C017	Tilt-and-turn window	104 - 98 - 84	One-way	C	Closed	open	-	bot-tom-hung windows	X		X		20