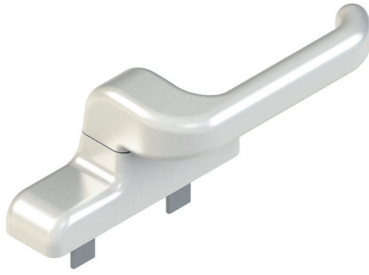


EURO CW CREMONE



Functions

Cremones for curtain walls with 90° (two-way) and opening/closing positioning notch.

Online data sheet



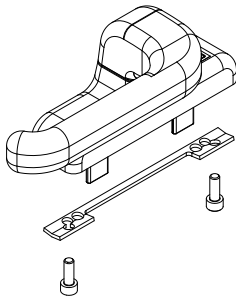
Technical Features

The use of high quality die-cast materials and the GIESSE painting system guarantee excellent mechanical performance, together with colour uniformity and good abrasion resistance. EURO CW cremones are designed for installation with C/C distance 98 mm, but can easily be adapted for fixing with a C/C distance of 104 mm and 84 mm. The special form of the pull handle makes it easy to insert the hand, thus allowing the handling of large-size sashes.

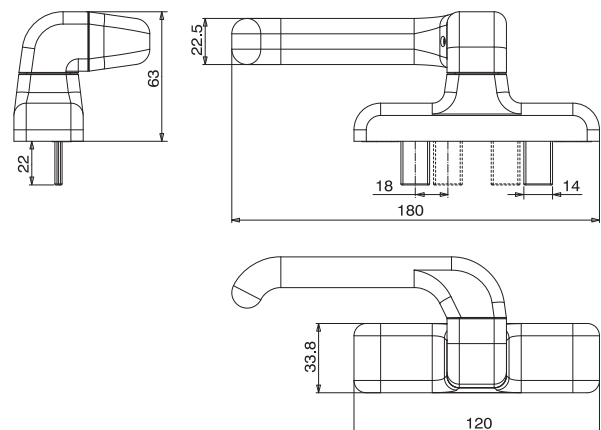
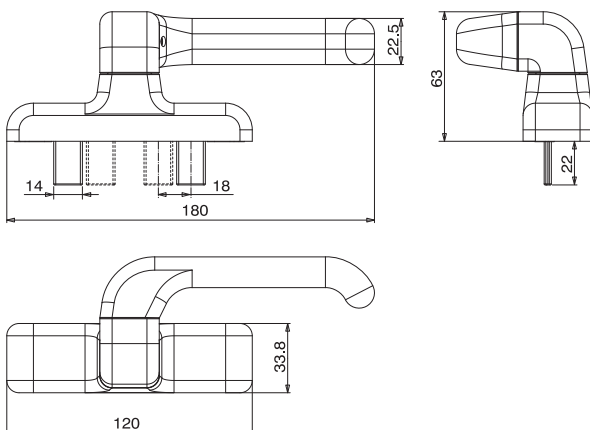
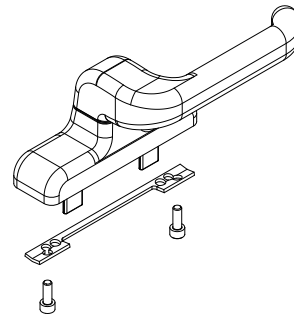
Materials

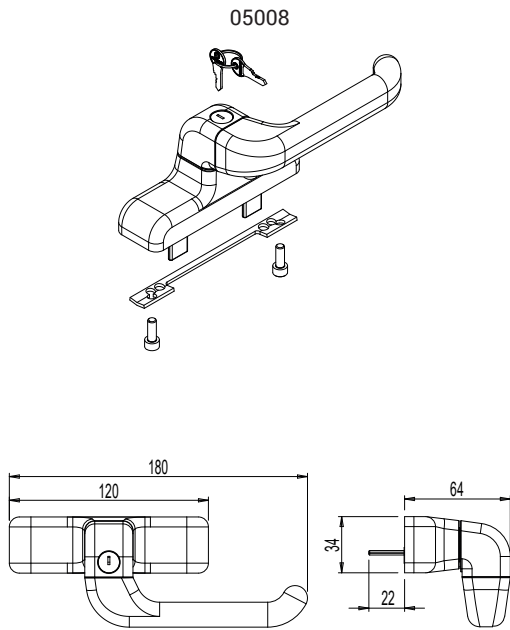
Handle in die-cast aluminium
 Cremones case, gear, racks and sliding parts in die-cast zamak.
 Offset block and plate in die-cast zamak
 Hostaform internal sheathing
 Spring, screw and fixing plate in stainless steel

050072 - LX

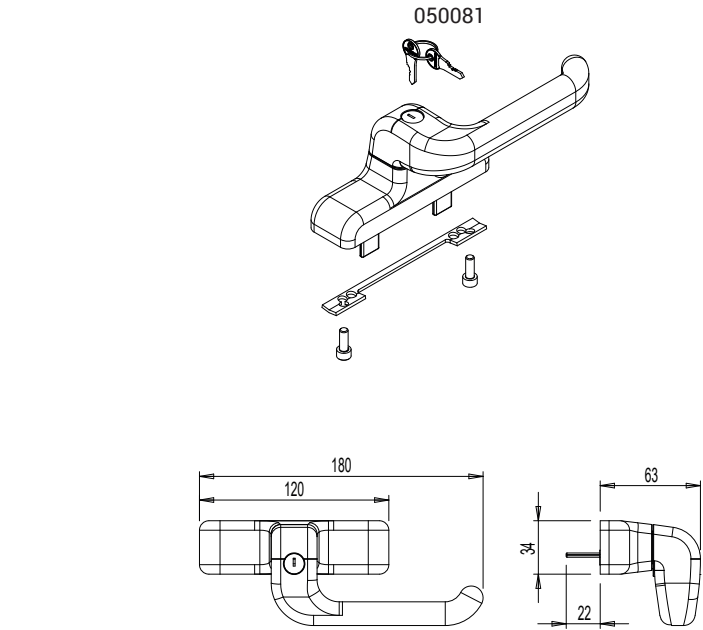
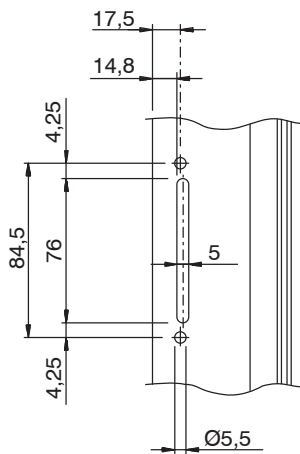


050071 - RX

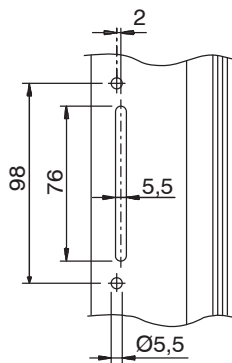




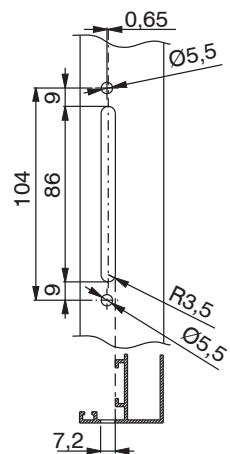
C/C distance machining 84.5 mm



C/C distance machining 98 mm



C/C distance machining 104 mm



Item code	Description	Version	Hand	C/C distances	Operation	Pull handle 0°	Pull handle 90°	Base Raw	Anodised Elox	Painted	Trend/Gold Brass	Pieces per pack
050071	EURO CW2 CREMONE-RIGHT		rx	104 - 98 - 84	two-way	Closed	open	X		X		5
050072	EURO CW2-LEFT CREMONE		lx	104 - 98 - 84	two-way	Closed	open	X		X		5
05008	EURO KEY CW2 CREMONE	Key	RH (reversible)	104 - 98 - 84	two-way	Closed	open	X		X		5
050081	EURO KEY CW2 CREMONE-RIGHT	Key	rx	104 - 98 - 84	two-way	Closed	open	X		X		5