

**EURO KEY CREMONE**



**Functions**

Reversible cremone handle, with key lockable pull handle, with 90° rotation (side-hung window) or 90° and 180° (tilt-and-turn window) and opening/closing positioning notch.

Online data sheet



**Technical Features**

The use of high quality die-cast materials and the GIESSE painting system guarantee excellent mechanical performance, together with colour uniformity and good abrasion resistance.

The EURO KEY cremones, supplied right-hand, have a fixing C/C distance of 104 mm and 84 mm, but can be easily adapted for mounting with a C/C distance of 98 mm.

Uses a cylinder made to European standard dimensions. When necessary you can replace the cylinder, product 01045.

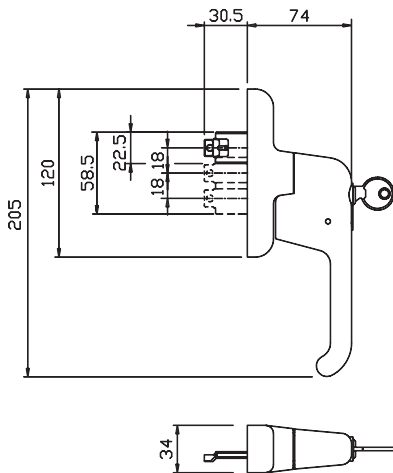
**Materials**

Handle in die-cast aluminium  
 Cremone case and gear in die-cast zamak  
 Internal sheath and Hostaform plate  
 Spring, screws and fixing plate in stainless steel  
 Brass cylinder

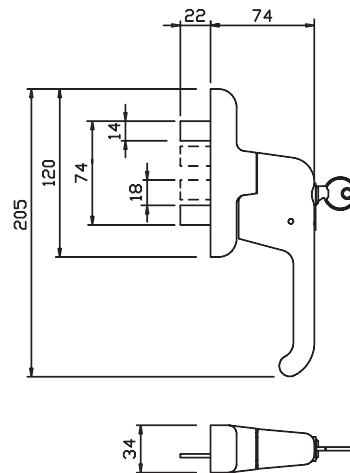
**Parts**

- 1 fixing plate
- 2 HSHC screws M5x14
- 3 Keys

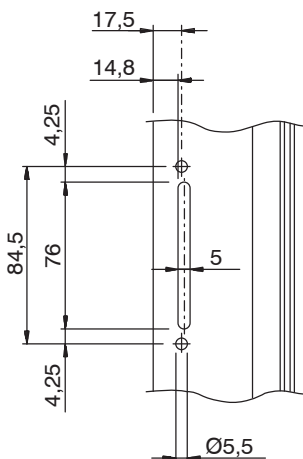
One-way version



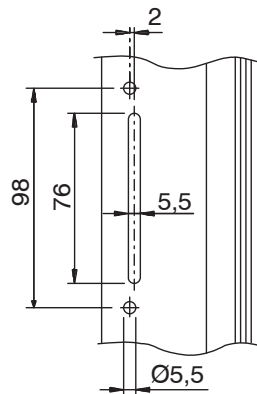
Two-way



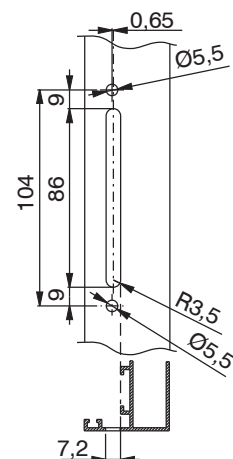
C/C distance machining 84.5 mm



C/C distance machining 98 mm



C/C distance machining 104 mm



Item code	Description	PROFILE CROSS - SECTION	Type	C/C distances	Operation	Pull handle 0°	Pull handle 90°	Pull handle 180°	Base Raw	Anodised Elox	Painted	Trend/Gold Brass	Pieces per pack
<b>01002</b>	EURO KEY CREMONE	C001-C002-C003-C004-C005-C006-C007-C008-C009-C010-C012-C013-C014-C015-C016-C017-P001-P002-P004-P005-P006-P007-P008-P009-P010	Sash	104 - 98 - 84	Two-way	Closed	Open	-	X		X		5
<b>01092K</b>	EURO KEY CREMONE	C001-C002-C003-C004-C005-C006-C007-C008-C009-C010-C012-C013-C014-C015-C016-C017	Tilt-and-turn window	104 - 98 - 84	One-way	Closed	Open	Bottom-hung windows	X		X		5