

EURO CREMONE FOR PARALLEL CURTAIN WALL



Functions

Cremone, in right and left versions, for Parallel outward opening curtain wall windows.

Online data sheet



Technical Features

The cremones, placed on the sash uprights, are operated simultaneously by means of a bar, supplied in different lengths and to be cut to size, that connects them.

This bar-cremone connection system enables a dual function:

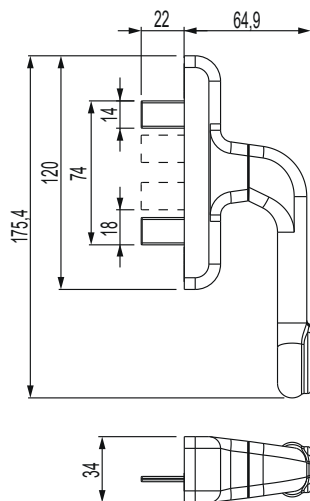
1. The cremones are operated simultaneously, for locking/unlocking the locking points.
2. The sash is opened and closed by pushing or pulling the bar.

Making a complete closing system requires:

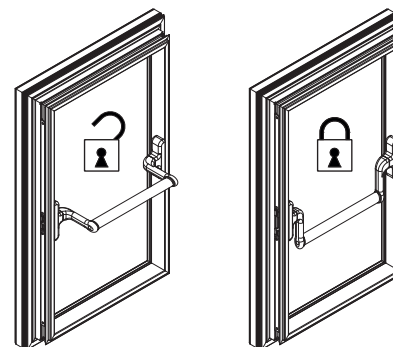
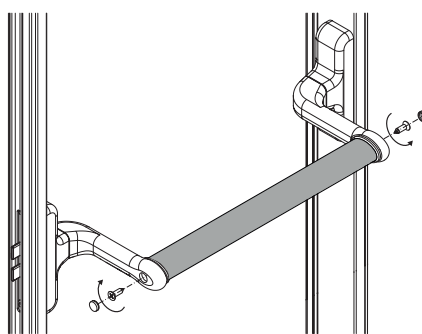
- Cremone – 2 pcs
- Connection bar – 1 pc
- Connection components (block or mechanism) – 2 pcs
- Fastening components to choose from those applicable to the profile used

Materials

Handle in die-cast aluminium
Cremone case, gear racks in die-cast zamak
Internal sheath and Hostaform plate
Spring, screws and fixing plate in stainless steel



Bar fixing with screws



Item code	Description	PROFILE CROSS - SECTION	Type	C/C distances	Operation	Pull handle 0°	Pull handle 90°	Base Raw	Anodised Elox	Painted	Trend/Gold Brass	Pieces per pack
00993	EURO CREMONE FOR PARALLEL CURTAIN WALL	C001-C002-C003-C004-C005-C006-C007-C008-C009-C010-C012-C013-C014-C015-C016-C017	Parallel sash	104 - 98 - 84	Two-way	Closed	open	X		X		5

Item code	Description	Type of Fixing	Length	Base Raw	Anodised Elox	Painted	Trend/Gold Brass	Pieces per pack
04157	BAR	Screws	1200 mm			X		1
04158	BAR	Screws	1800 mm			X		1