



KORA 0-90 CREMONE

Functions

Reversible cremone for outward opening with space saving.

[Online data sheet](#)



Technical Features

The cremone is specific to one-way closing systems with handle positioning at 0° and 90°.

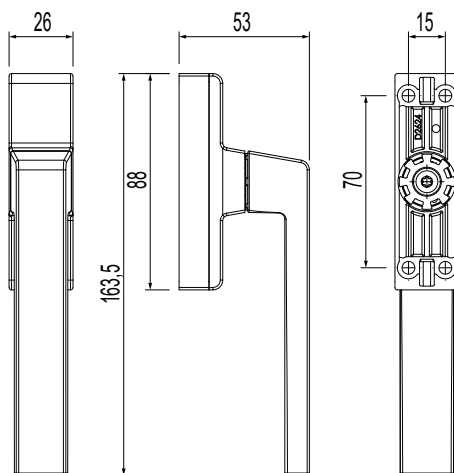
The use of high quality die-cast materials and the GIESSE painting system guarantee excellent mechanical performance, together with colour uniformity and good abrasion resistance.

The Kora 0-90 cremone has a fixing C/C distance of 70 mm.

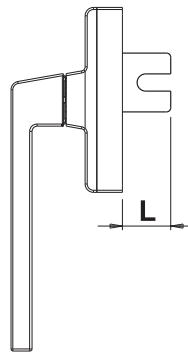
The cremone is to be matched with the outward opening casement kits and the drive rod devices.

Materials

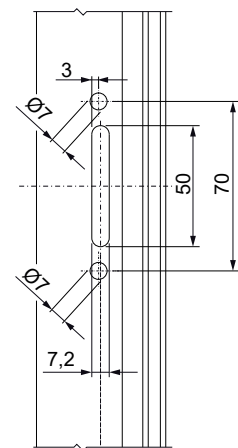
Handle in die-cast aluminium
Case, case cover and rotor in zamak
Spring and screw of stainless steel



L= Slider length



C/C distance machining 70 mm



Item code	Description	Type	C/C distances	Operation	Pull handle 0°	Pull handle 90°	Base Raw	Anodised Elox	Painted	Trend/Gold Brass	Pieces per pack
00968	KORA 0-90 CREMONE	Outward Opening	70	One-way	Closed	Open	X		X		10

Item code	Description	Slider length	Base Raw	Anodised Elox	Painted	Trend/Gold Brass	Pieces per pack
02025	OUTWARD OPENING KIT	20 mm	X				10
02026	OUTWARD OPENING KIT	28 mm	X				10
02027	OUTWARD OPENING KIT	35 mm	X				10
02028	OUTWARD OPENING KIT	45 mm	X				10
02029	OUTWARD OPENING KIT	55 mm	X				10
02050	OUTWARD OPENING KIT	65 mm	X				10