



KORA KEY 0-180 CREMONE

Functions

Reversible cremone, with key lockable handle, with rotation through 90°, 135° (micro-ventilation version) and 180° and opening/closing positioning notch.

Online data sheet



Technical Features

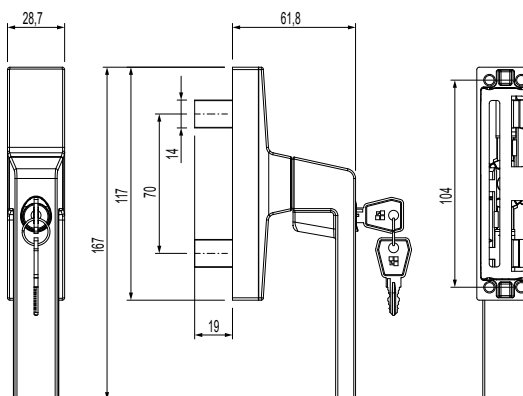
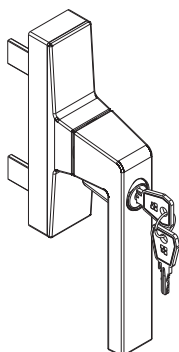
The use of high quality die-cast materials and the GIESSE painting system guarantee excellent mechanical performance, together with colour uniformity and good abrasion resistance.

The cylinders of the KORA KEY 0-180 cremones have homogeneous coding, on request it is in any case possible to fulfill specific job orders with customized coding.

Materials

Handle in die-cast aluminium
 Die-cast Zamak case, gears, racks and sliding parts
 Nickel-plated brass cylinder
 Hostaform plate
 Spring, screws and fixing plate in stainless steel

00967



Item code	Description	PROFILE CROSS - SECTION	Hand	C/C distances	Base Raw	Anodised Elox	Painted	Trend/Gold Brass	Pieces per pack
00967	KORA KEY 0-180 CREMONE	C001-C002-C003-C004-C005-C006-C007-C008-C009-C010-C012-C013-C014-C015-C016-C017		104 mm	X		X		5