



NOVA CREMONE

Functions

Reversible cremone handle, ideal for outward opening systems and shutters, with handle rotation to 90° and opening/closing positioning notch.

Online data sheet

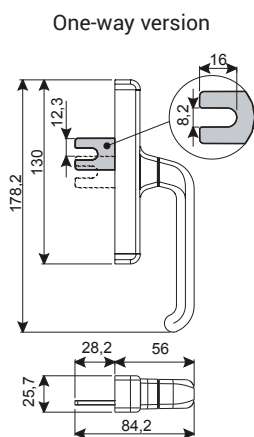


Technical Features

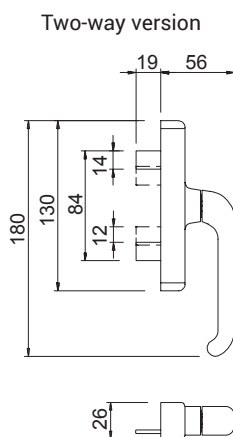
Available in both one-way and two-way versions. For both versions there is the version with pull handle locking to make the window more secure: on the back of the pull handle there is a button that the end user needs to press to be able to turn the pull handle. Supplied right-hand pre-assembled it has a stroke of 12 mm for the sliders. The NOVA cremone has machining with a C/C distance of 104 mm.

Materials

Handle in die-cast aluminium.
Die-cast Zamak case, gears, racks and sliding parts.
Extruded aluminium body cover.
Fibreglass reinforced polyamide plate.

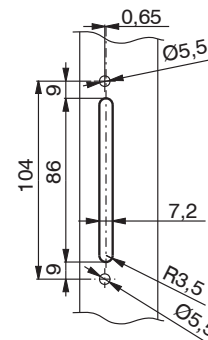


One-way version

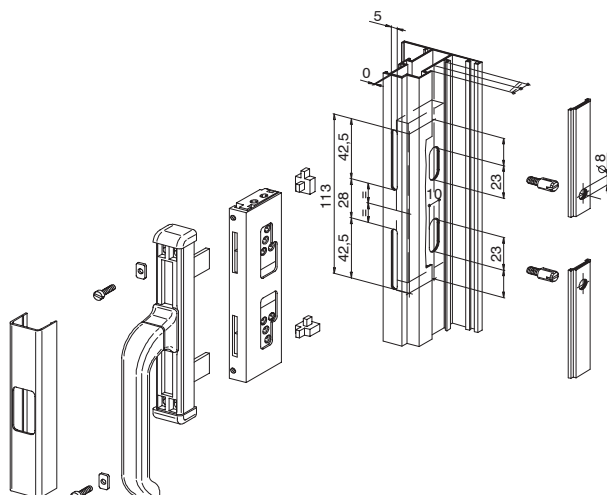


Two-way version

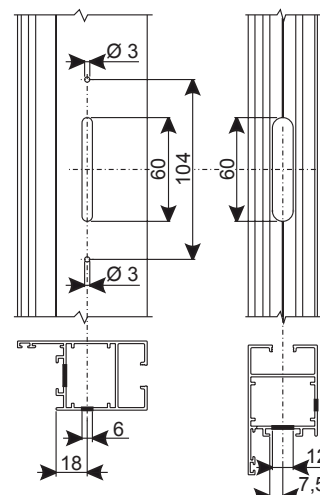
C/C distance machining 104 mm one-way version



C/C distance machining 108 mm two-way version



Two-way version machining



CREMONES

Item code	Description	Type	Functions	C/C distances	Operation	Slider length	Pull handle 0°	Pull handle 90°	Base Raw	Anodised Elox	Painted	Trend/Gold Brass	Pieces per pack
01004	NOVA CREMONE	Outward opening		Figure 1	Two-way	19 mm	Closed	open	X		X		20
01006	NOVA CREMONE - with block	Outward opening	pull handle lock	Figure 1	Two-way	19 mm	Closed	open	X		X		20
01009	NOVA CREMONE with ext. slid.	Outward opening		Figure 1	Two-way	25 mm	Closed	open	X		X		20
01114	NOVA CREMONE SINGLE-SLIDER	Outward opening		Figure 2	One-way	16 mm	Closed	open	X		X		20
01116	NOVA CREMONE W/ SINGLE-SLIDER BLOCK	Outward opening	pull handle lock	Figure 2	One-way	16 mm	Closed	open	X		X		20