



## PRIMA UNIVERSAL CREMONE

### Functions

Reversible cremone handle for central gasket systems with one-way mechanism, equipped with 90°, 135° (microventilation) and 180° rotation and snap positioning.

Online data sheet



### Technical Features

The use of high quality die-cast materials and the GIESSE painting system guarantee excellent mechanical performance, together with colour uniformity and good abrasion resistance.

The cremone is specific to one-way mechanisms such as the tilt-and-turn window and for the side-hung window it also enables using micro-ventilation. Product designed as part of the GIESSE SPACE Project, for use in combination with GIESSE automatic machines.

The incorrect movement safety device necessary for tilt-and-turn windows is contained in the SPAZIO GIESSE tilt-and-turn mechanism.

Available also in a version with the Rapid 104 hook, which is a patented system, fast to assemble.

### Materials

Handle in die-cast aluminium  
Cremone case, gear, racks and sliding parts in die-cast zamak

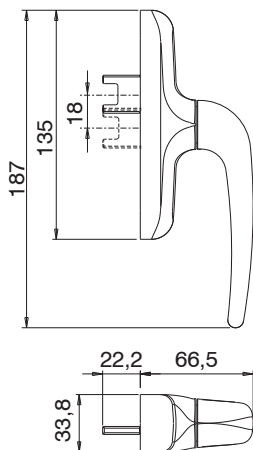
Internal sheath and Hostaform plate

Spring, screw and fixing plate in stainless steel

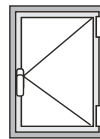
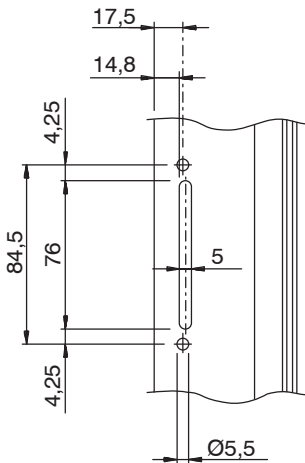
### Parts

1 fixing plate

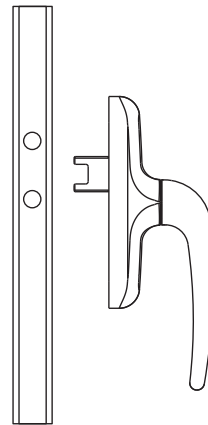
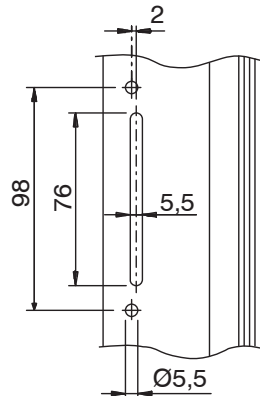
2 HSHC screws Mx14



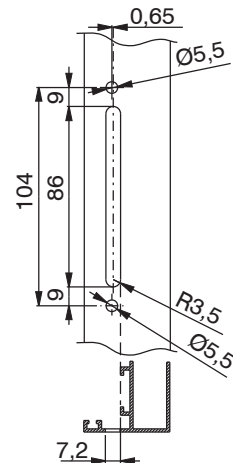
C/C distance machining 84.5 mm



C/C distance machining 98 mm



C/C distance machining 104 mm



Item code	Description	PROFILE CROSS - SECTION	Material	Version	C/C distances	Base Raw	Anodised Elox	Painted	Trend/Gold Brass	Pieces per pack
<b>01038</b>	PRIMA UNIVER.MICROVENTILATION CREMONE	C001-C002-C003-C004-C005-C006-C007-C008-C009-C010-C012-C013-C014-C015-C016-C017		Micro-ventilation	104 - 98 - 84	X		X		10
<b>01058R</b>	PRIMA UNIVERSAL CREMONE (RAPID 104)	C001-C002-C003-C004-C005-C006-C007-C008-C009-C010-C012-C013-C014-C015-C016-C017		Rapid	104	X		X		10