



## UNICA CREMONE

### Functions

Reversible cremone handle for actioning Giese mechanisms.

Online data sheet



### Technical Features

With the Unica Cremone it is possible to have the same stylish operation on casements for Inward Opening, Outward Opening and Tilt-and-Turn Window Shutter.

The Unica cremone, supplied right-handed, has a fixing C/C distance of 104 mm.

Available both with two-way and one-way mechanism, with handle positioning notches at 0°, 90° and 180° and in the APEX version.

The Unica Apex Cremone can be fitted on shutter profiles or with outward opening and does not require using the internal connection kit.

The Apex system, patented by Giese, is easily and quickly mounted on the sash profile after doing the appropriate machining.

The possible range of the telescopic slider is from 16 mm to 35 mm.

The pins to be used to transfer the motion from the cremone sliders to the rod depend on the specific geometry of the profile and must be chosen from the available Giese ones.

### Materials

Handle in painted die-cast aluminium

Case in paint-finished die-cast zamak

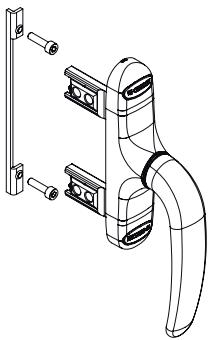
Steel spring

Zinc plated steel screw

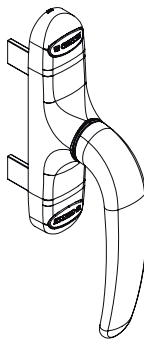
Shim in Hostaform

Rotor, racks and sliders in die-cast zamak.

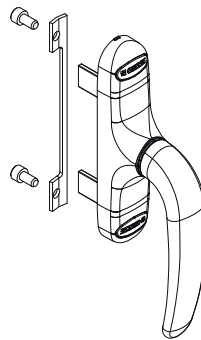
Art. 01154001



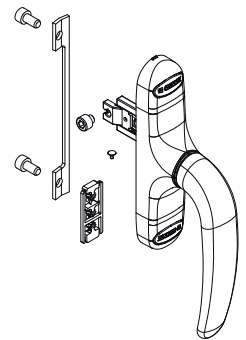
Art. 01155001



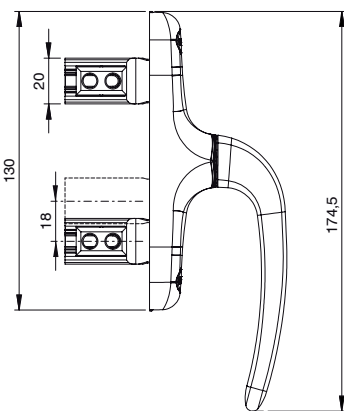
Art. 01157001



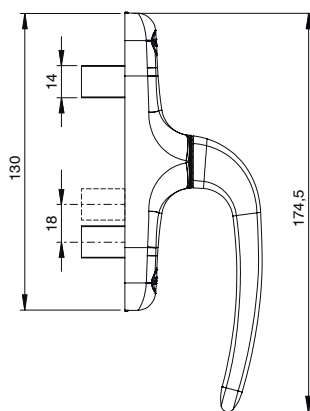
Art. 01159001



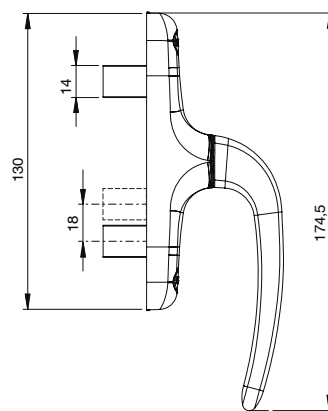
Art. 01154001



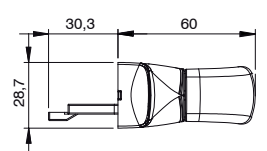
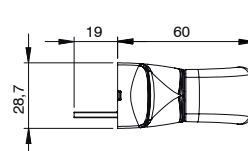
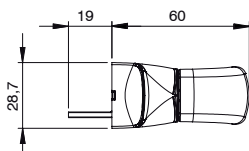
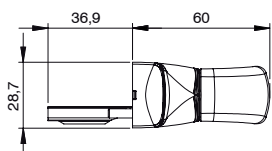
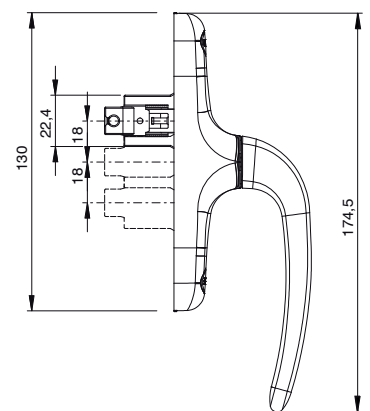
Art. 01155001



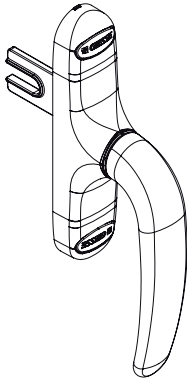
Art. 01157001



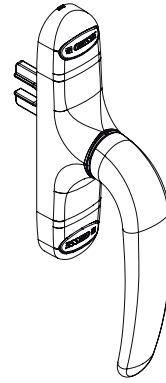
Art. 01159001



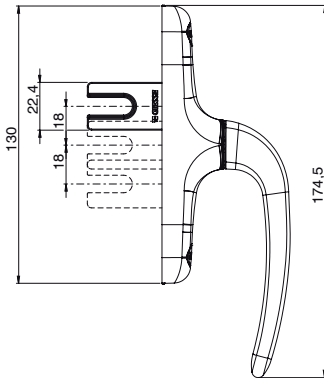
Art. 01164N



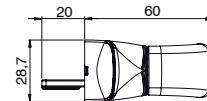
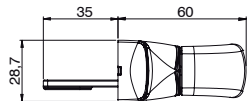
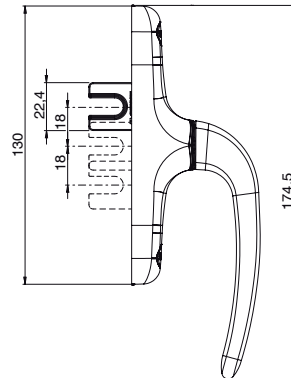
Art. 01165N



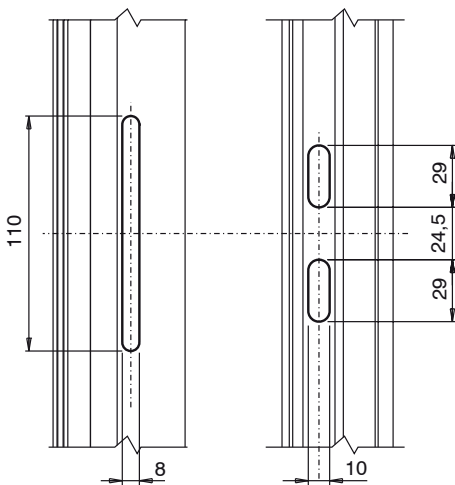
Art. 01164N



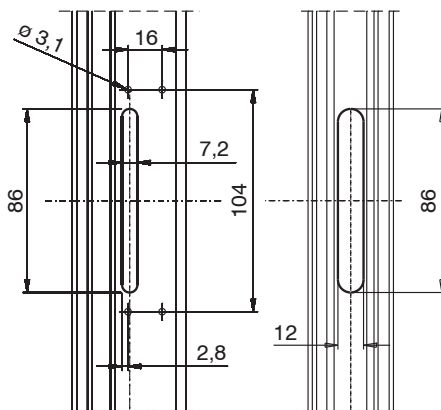
Art. 01165N



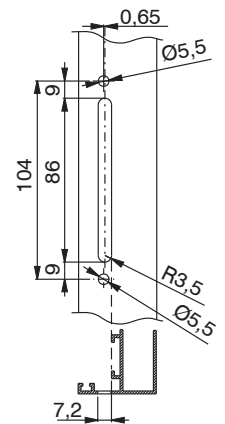
Cremone machining art. 01154001, 01155001



Cremone machining art. 01164N, 01165N



Cremone machining art. 01157001, 01159001



Item code	Description	Notes	PROFILE CROSS - SECTION	Type of Opening	Operation	Pull handle 0°	Pull handle 90°	Pull handle 180°	Base Raw	Anodised Elox	Painted	Trend/Gold Brass	Pieces per pack
01154001	UNICA APEX CREMONE	-	-	External - Shutters	Two-way	closed	open		X		X	X	10
01155001	UNICA CREMONE	-	-	External - Shutters	Two-way	closed	open				X	X	10
01157001	UNICA CREMONE	-	C001-C002-C003-C004-C005-C006-C007-C008-C009-C010-C012-C013-C014-C015-C016-C017-P001-P002-P004-P005-P006-P007-P008-P009-P010	Internal	Two-way	closed	open		X		X	X	10
01159001	UNICA CREMONE	-	C001-C002-C003-C004-C005-C006-C007-C008-C009-C010-C012-C013-C014-C015-C016-C017	Tilt-and-turn window	One-way	closed	open	bottom-hung windows	X		X	X	10
01164N	UNICA ONE-WAY CREMONE	Slider length 35 mm	-	External - Shutters	One-way	closed	open		X		X	X	20
01165N	UNICA ONE-WAY CREMONE	Slider length 20 mm	-	External - Shutters	One-way	closed	open		X		X		10