

UNICA AWAY CREMONE



Functions

Reversible cremone handle, with removable pull handle supplied separately, for operating the Giesse mechanisms. Ideal for hospitals, schools and all other locations in which operation of the casements is not to be left to the discretion of the end user.

Online data sheet

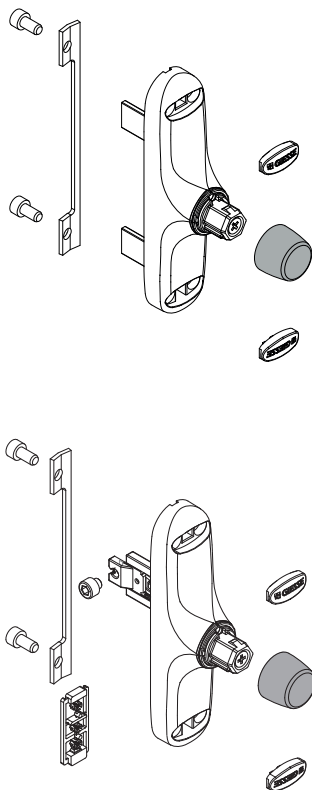


Technical Features

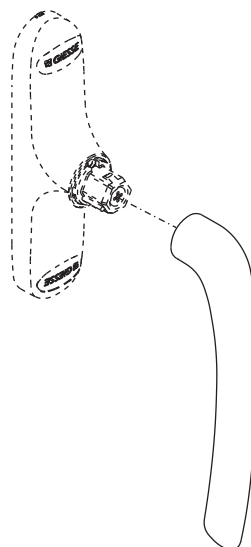
The Unica Away cremone is available both right and left handed and has a fixing C/C distance of 104 mm. The Unica Away Cremone does not have a removable pull handle which is supplied separately. The removable handle can be used in conjunction with all Unica Away Cremones. It is fixed on the snap-mounting cremone by pressing on its hexagon and it stays attached there during operation. The part of the pull handle which mounts to the cremone is designed to engage in such a way that it is always in phase with the mechanism. The design and elongated shape of the handle (172 mm) make it easy to handle in any application.

Materials

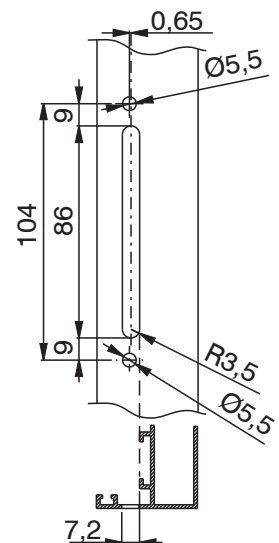
Handle in painted die-cast aluminium
 Case in paint-finished die-cast zamak
 Steel spring
 Stainless steel screws and fixing plate.
 Rotor, racks and sliders in die-cast zamak.



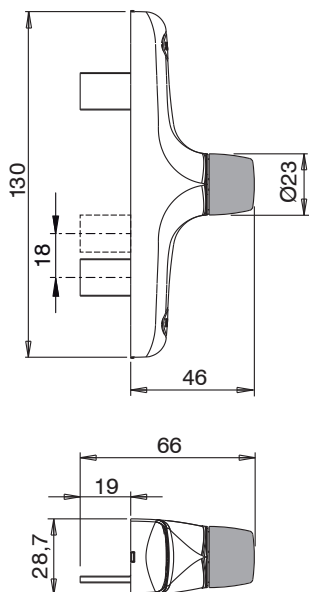
Handle application



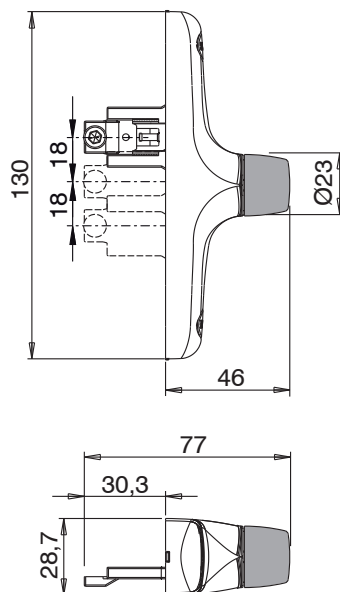
C/C distance machining 104 mm



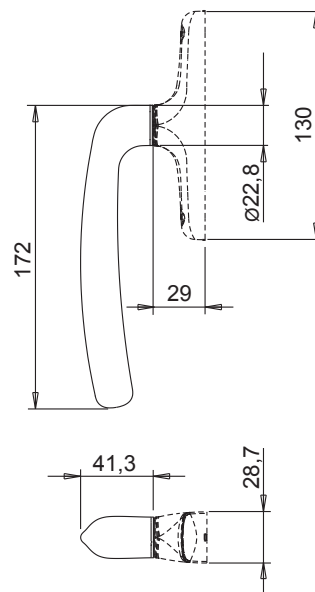
Dimensions art. 01138



Dimensions art. 01139



Dimensions art. 01129



Item code	Description	PROFILE CROSS - SECTION	Type	C/C distances	Operation	Pull handle 0°	Pull handle 90°	Pull handle 180°	Base Raw	Anodised Elox	Painted	Trend/Gold Brass	Pieces per pack
01129	PULL HANDLE FOR UNICA AWAY	-	-	-	-	-	-	-			X		10
01138	UNICA AWAY CREMONE	C001-C002-C003-C004-C005-C006-C007-C008-C009-C010-C012-C013-C014-C015-C016-C017-P001-P002-P004-P005-P006-P007-P008-P009-P010	Inward opening	104	two-way	closed	open				X		10
01139	UNICA AWAY CREMONE	C001-C002-C003-C004-C005-C006-C007-C008-C009-C010-C012-C013-C014-C015-C016-C017	Tilt-and-turn window	104	one-way	closed	open	bottom-hung windows			X		10