

UNICA CW 2 CREMONE



Functions

Reversible cremone handle for actioning Giese curtain wall mechanisms.

Online data sheet



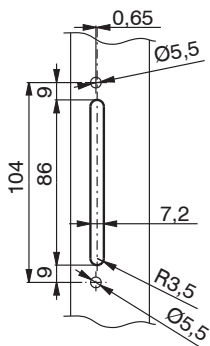
Technical Features

The Unica CW2 cremone is available both right and left handed and has a fixing C/C distance of 104 mm. Available with two-way mechanism, with pull handle positioning notch at 0° and 90°. The special form of the pull handle makes it easy to insert the hand, thus allowing the handling of large-size sashes.

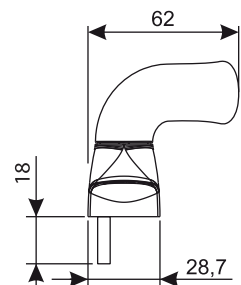
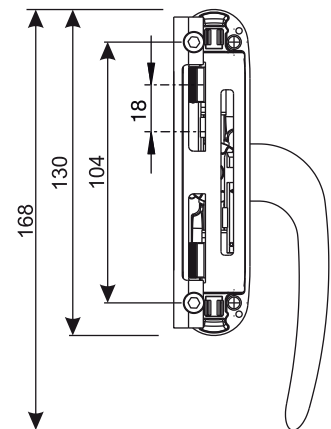
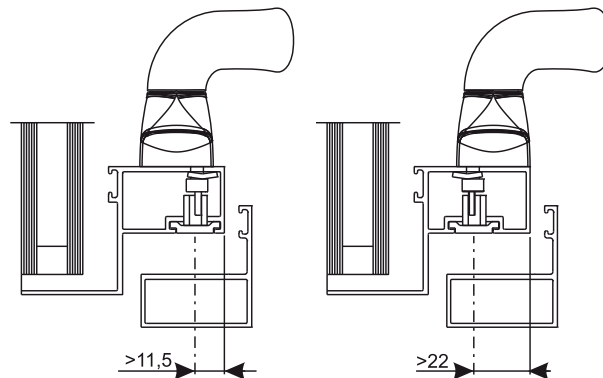
Materials

Handle in painted die-cast aluminium
Case in paint-finished die-cast zamak
Steel spring
Stainless steel screws and fixing plate
Rotor, racks and sliders in die-cast zamak

C/C distance machining 104 mm



Assembly scheme



Item code	Description	Hand	Type	C/C distances	Operation	Pull handle 0°	Pull handle 90°	Base Raw	Anodised Elox	Painted	Trend/Gold Brass	Pieces per pack
011701	UNICA OFFSET HANDLE CW2 CREMONE	rx	Curtain wall	104	two-way	closed	open	X		X		5
011702	UNICA OFFSET HANDLE CW2 CREMONE	lx	Curtain wall	104	two-way	closed	open	X		X		5